

1 2 3 4 5 6 7 8

A

B

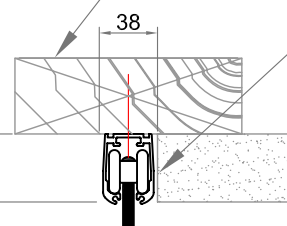
C

D

E

F

Continuous timber Support
(by others)



Extruded Aluminium Track

Structure

Continuous timber Support
(by others)

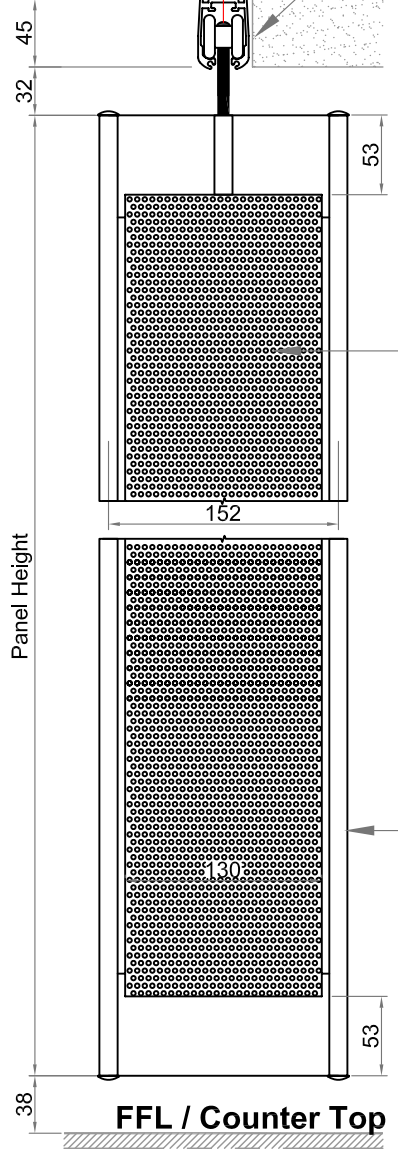
Panels

Leading Edge with Hook lock

Wall Strike channel

Vertical Aluminium Retainer Hinge

4x2 Wood wall support or other supporting member, with drywall or other surface cover.
(By others)

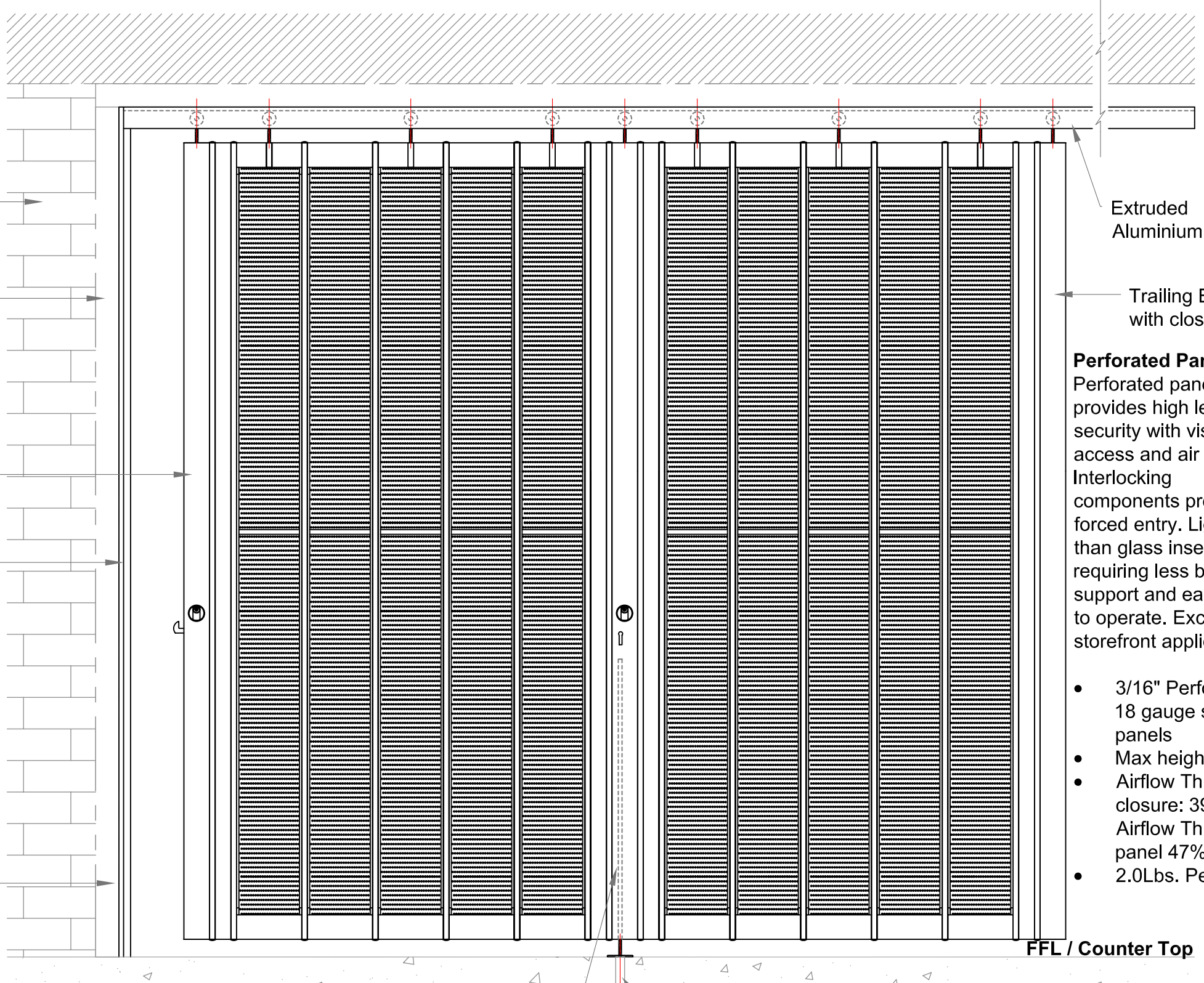


FFL / Counter Top

ESC-31 VistaPane Perforated Steel

END ELEVATION 1:5

FRONT ELEVATION 1:10



Extruded Aluminium Track

Trailing Edge with closure plate

Perforated Panels
Perforated panel that provides high level security with visual access and air flow. Interlocking components prevent forced entry. Lighter than glass inserts; requiring less bulkhead support and easy to operate. Excellent for storefront applications

- 3/16" Perforated 18 gauge steel panels
- Max height 4.9m
- Airflow Through closure: 39%
- Airflow Through panel 47%
- 2.0Lbs. Per Sq. Ft.

FFL / Counter Top

Optional Post with drop lock (as required) for added security

Dust proof lock strike



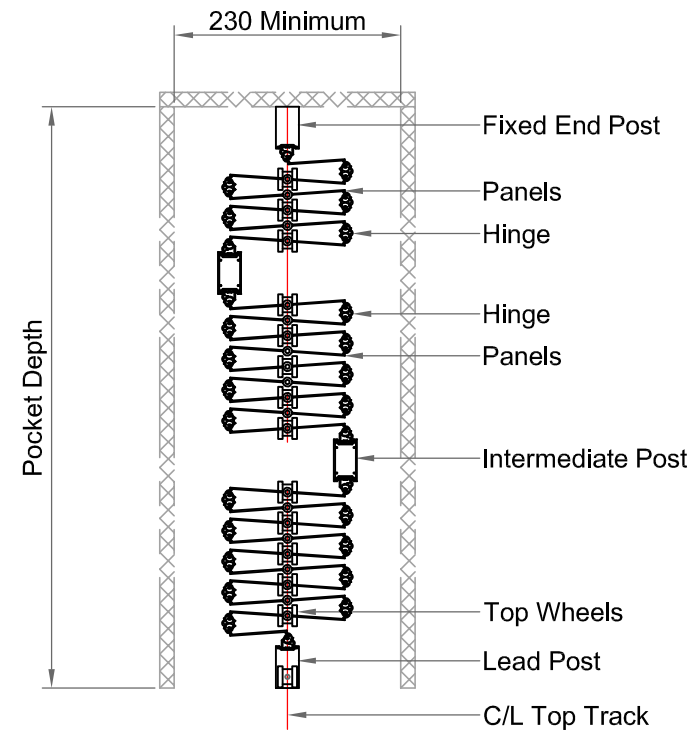
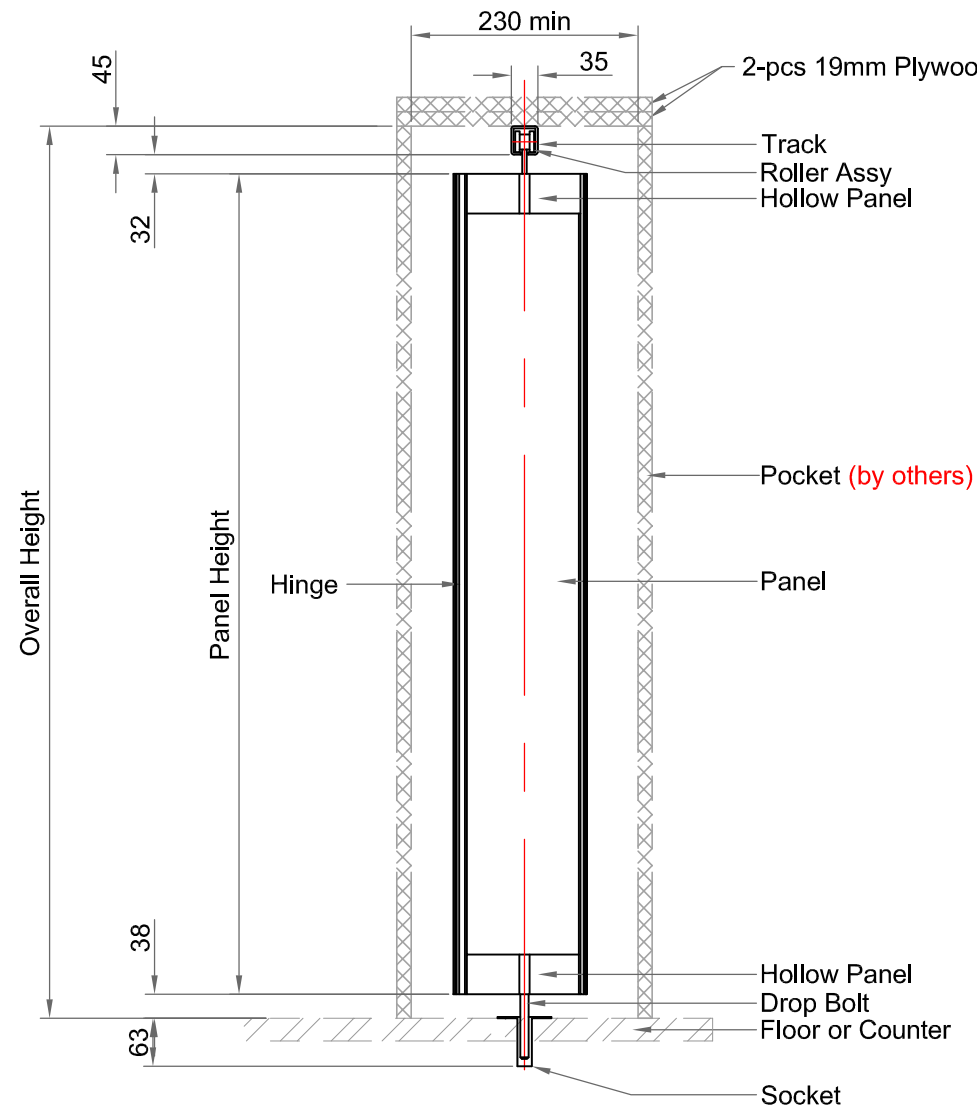
GUARDIAN
SLIDING GRILLES

Tel: +44(0)1702 512424
Fax: +44(0)1702 260117
www.slidingfoldinggrilles.co.uk

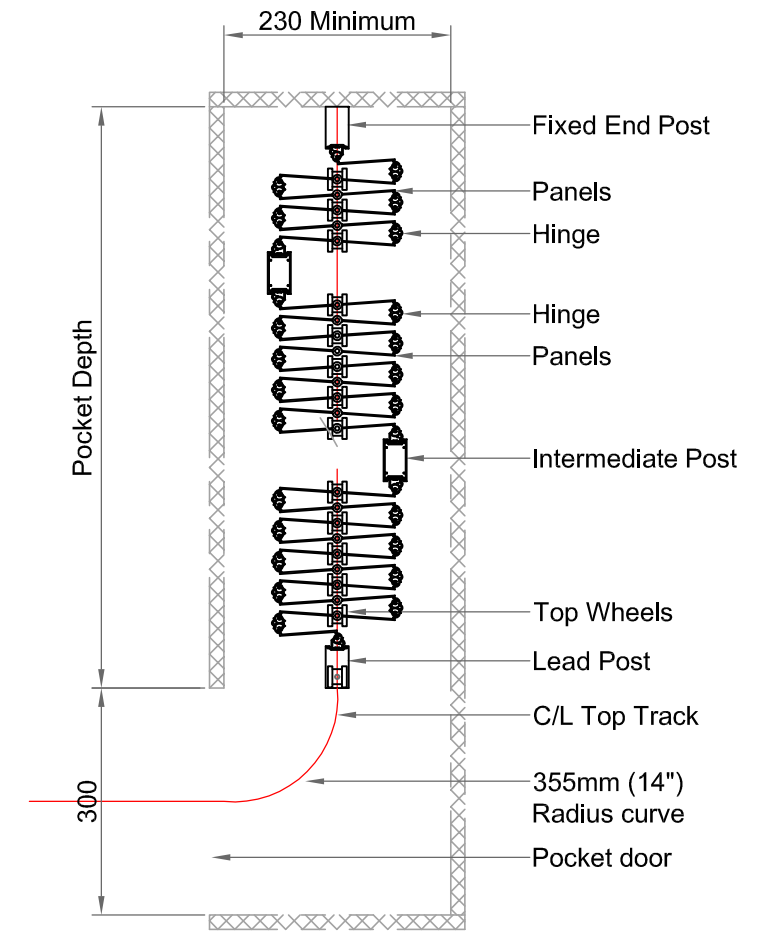
UNLESS OTHERWISE INDICATED ALL DIMENSIONS IN MILLIMETERS

DRAWN	CHK'D	APP'D	DATE	SCALE	Job No:	ISSUE	DATE	APP'D
CH					Guardian maintains a policy of progressive design and we reserve the right to modify specifications without prior notice or alteration to this drawing			
TITLE								
AIR Wave Perforated Elevation Sliding Grilles								

1 2 3 4 5 6 7 8



Minimum Stacking
 1.05" per Foot of opening + 3.5" per post, or
 Approximately 2" per Foot of opening



Design Construction Details

- Minimal headroom required - 38mm wide x 46mm high track mounts to overhead structure to support unit.
- No floor track is required.
- Maximum recommended width of a single unit section is 30' 0" (before using a bi-parting unit).
- Maximum intermediate member spacing is 13' for full height units, 7' for countertop units.
- Operation is manual push / pull only.
- Minimum height for all units is 2' 0", Minimum width for all units is 4' 0".
- The grille support should be design to carry the weight of a fully stacked door at any point along its length

Optional Finishes

- For standard clear anodised components:**
- **Color Anodized: medium bronze, dark bronze or champagne**
 - **Custom wet paint**



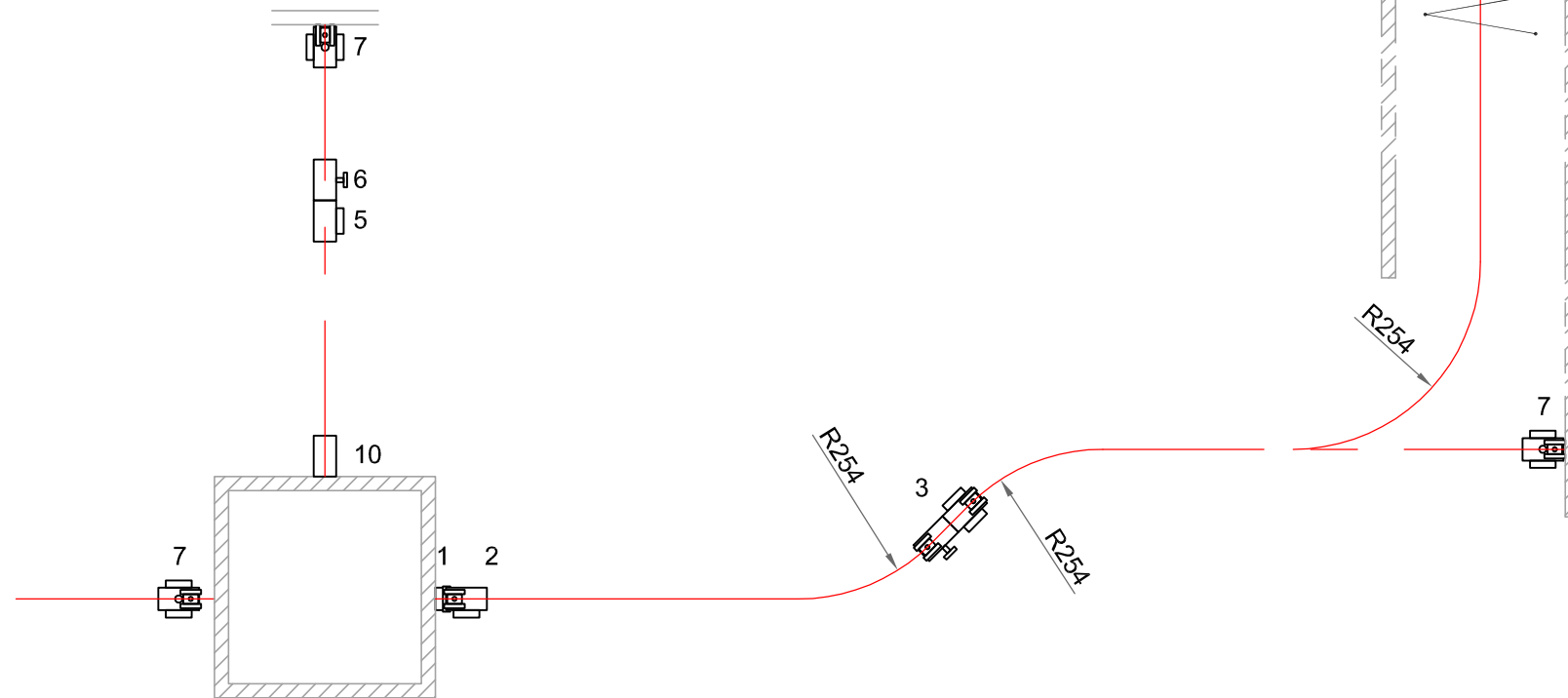
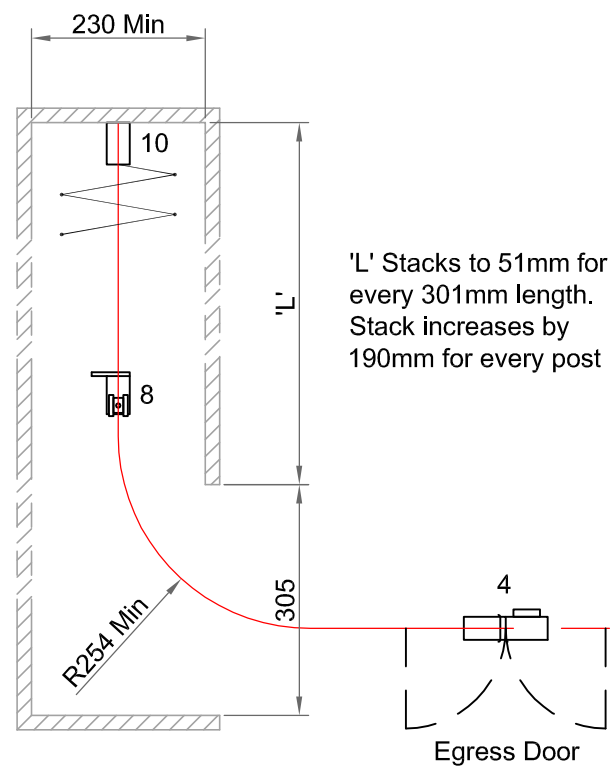
UNLESS OTHERWISE INDICATED
 ALL DIMENSIONS IN MILLIMETERS

DRAWN	CHK'D	APP'D	DATE	SCALE
CH			21/12 /11	

TITLE
 Pocket and Sliding Grilles information

Job No:
 Guardian maintains a policy of progressive design and we reserve the right to modify specifications without prior notice or alteration to this drawing

ISSUE	DATE	APP'D



See DWG DD-02 for Post Details



GUARDIAN
SLIDING GRILLES

Tel: +44(0)1702 512424
Fax: +44(0)1702 260117
www.slidingfoldinggrilles.co.uk

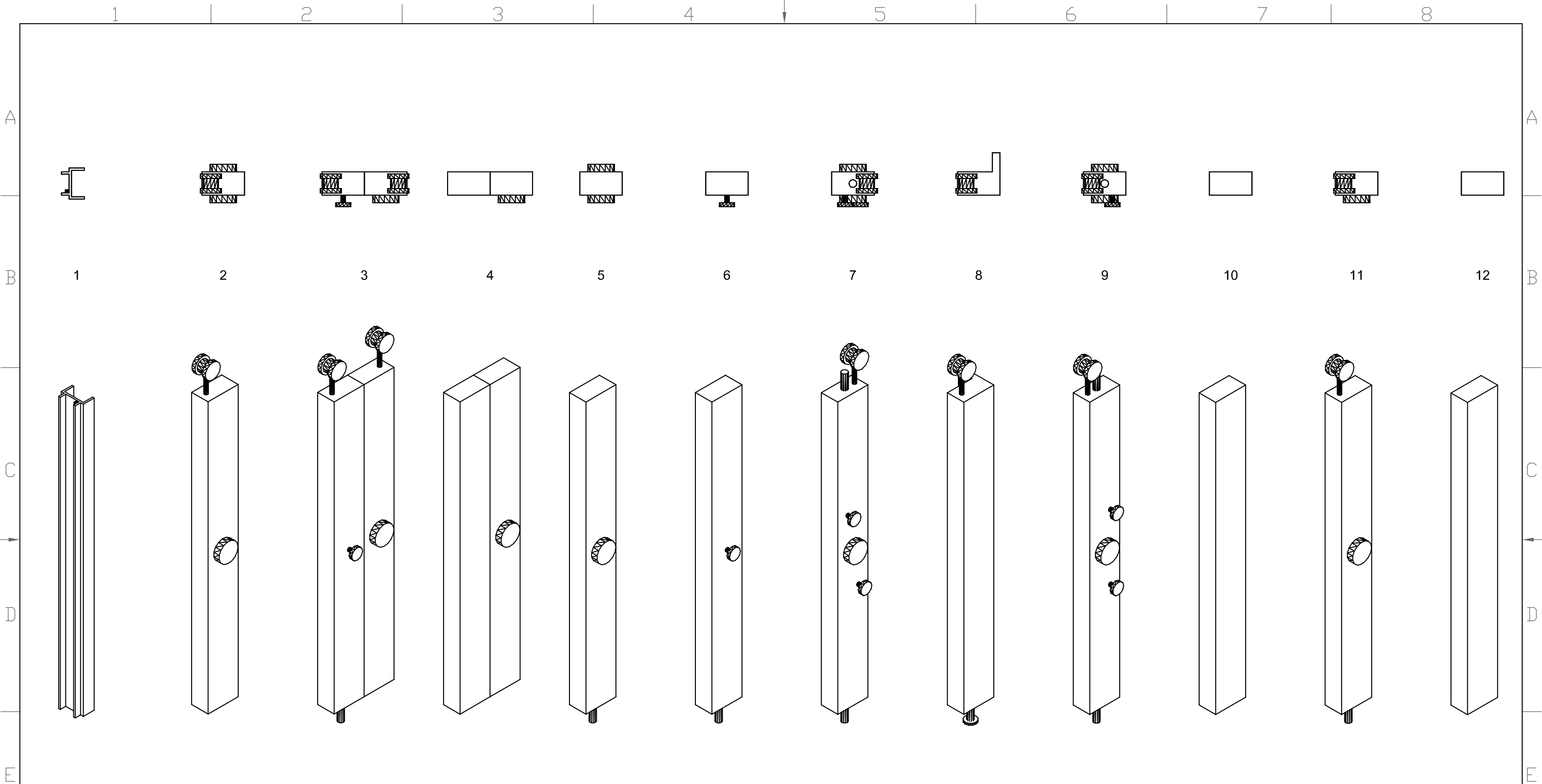
UNLESS OTHERWISE INDICATED
ALL DIMENSIONS IN MILLIMETERS

DRAWN	CHK'D	APP'D	DATE	SCALE
CH				

TITLE
**Samples of Configuration
Sliding Grilles**

Job No:
Guardian maintains a policy of progressive design and we reserve the right to modify specifications without prior notice or alteration to this drawing

ISSUE	DATE	APP'D



- 1. Wall Jamb
- 2. Lead Post
- 3. Bi-Part c/w Drop Bolt on one Post
- 4. Egress Door
- 5. Intermediate Post c/w Cylinder & Drop Bolt
- 6. Intermediate Post c/w Knob & Drop Bolt
- 7. Top & Bottom Post c/w Drop Bolts
- 8. Trailing Back Post
- 9. Three Way Locking Post c/w Drop Bolts
- 10. Fixed End Post
- 11. End post c/w Drop Bolt, Track Stop & Back Plate
- 12. Connecting Post



UNLESS OTHERWISE INDICATED
 ALL DIMENSIONS IN MILLIMETERS

DRAWN	CHK'D	APP'D	DATE	SCALE
CH				

TITLE
**Vertical Posts
 Sliding Grilles**

Job No:
 Guardian maintains a policy of progressive design and we reserve the right to modify specifications without prior notice or alteration to this drawing

ISSUE	DATE	APP'D