

1 2 3 4 5 6 7 8

A

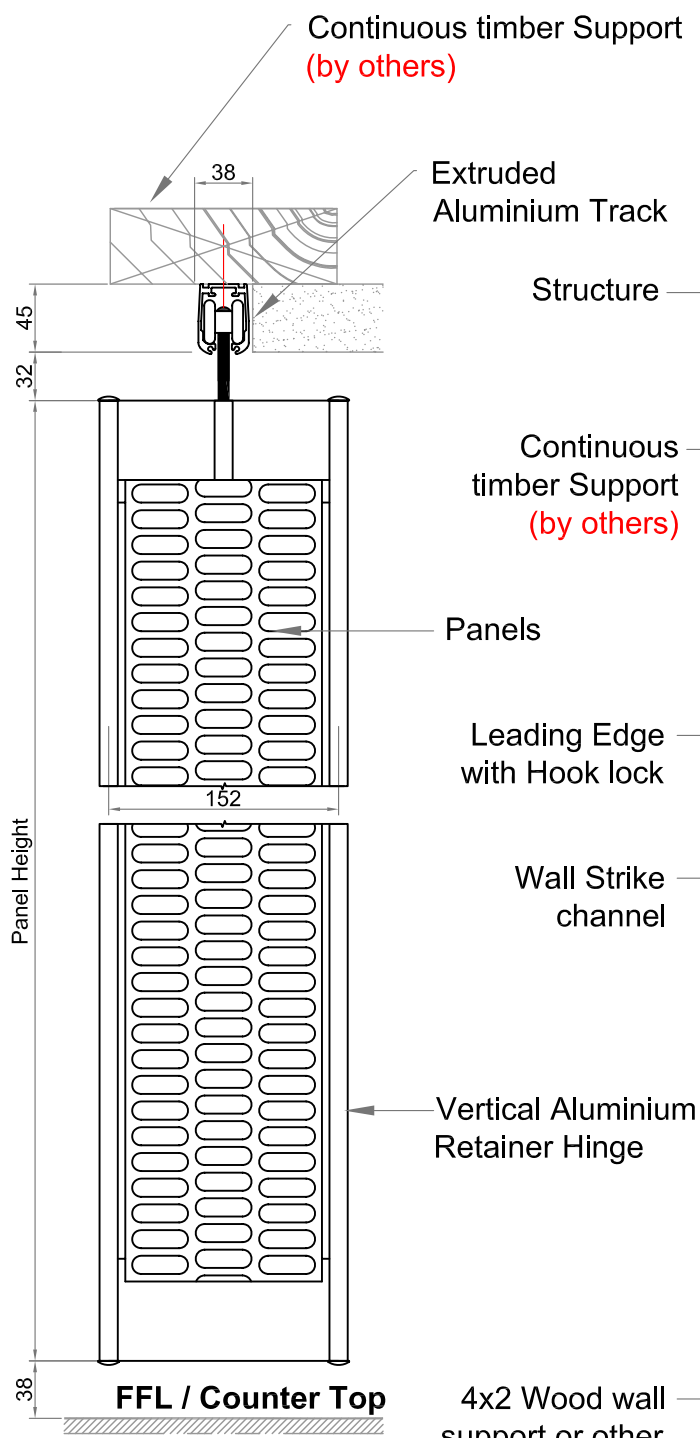
B

C

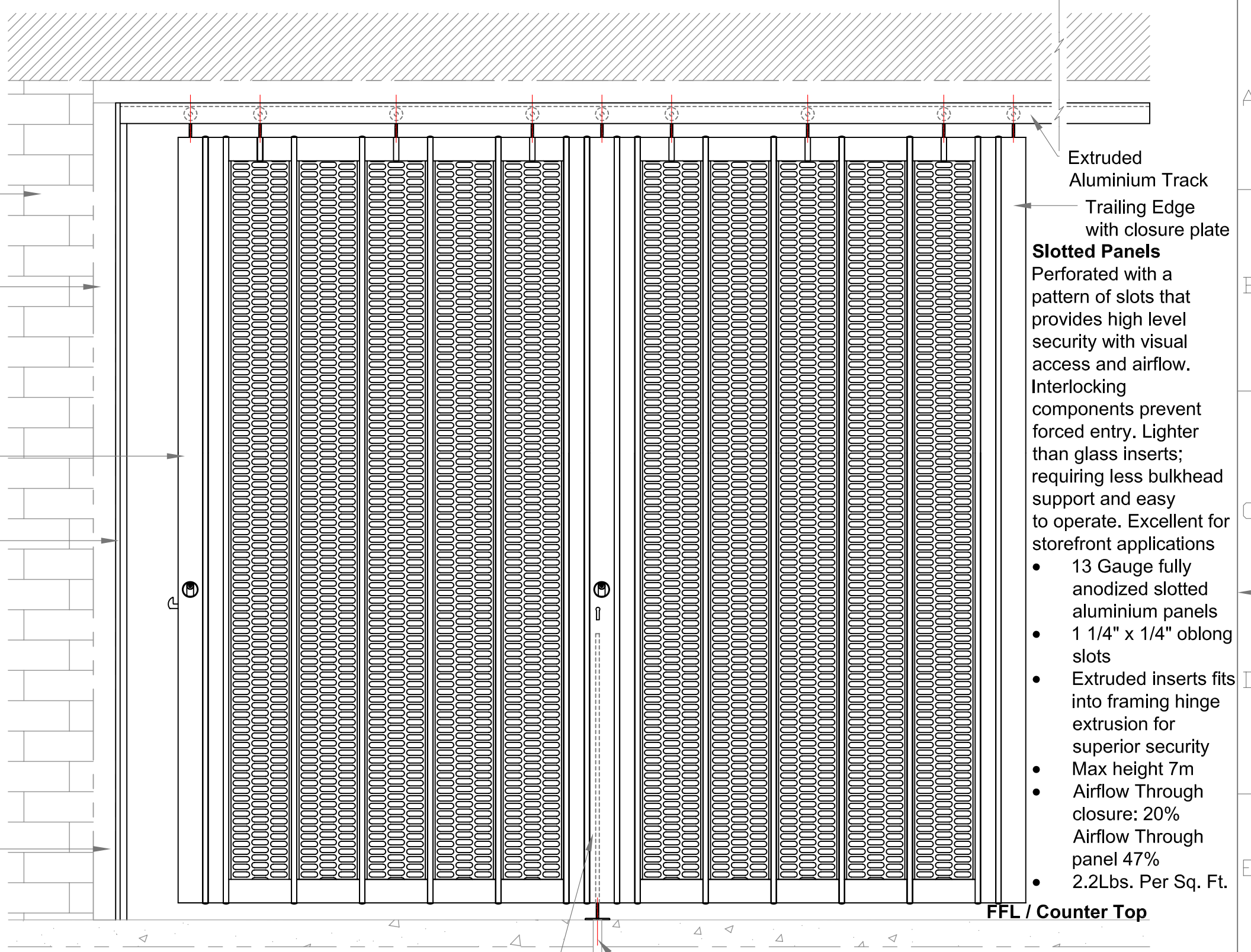
D

E

F



END ELEVATION 1:5



FRONT ELEVATION 1:10

Slotted Panels
 Perforated with a pattern of slots that provides high level security with visual access and airflow. Interlocking components prevent forced entry. Lighter than glass inserts; requiring less bulkhead support and easy to operate. Excellent for storefront applications

- 13 Gauge fully anodized slotted aluminium panels
- 1 1/4" x 1/4" oblong slots
- Extruded inserts fits into framing hinge extrusion for superior security
- Max height 7m
- Airflow Through closure: 20%
- Airflow Through panel 47%
- 2.2Lbs. Per Sq. Ft.



GUARDIAN
 SLIDING GRILLES

Tel: +44(0)1702 512424
 Fax: +44(0)1702 260117
 www.slidingfoldinggrilles.co.uk

UNLESS OTHERWISE INDICATED
 ALL DIMENSIONS IN MILLIMETERS

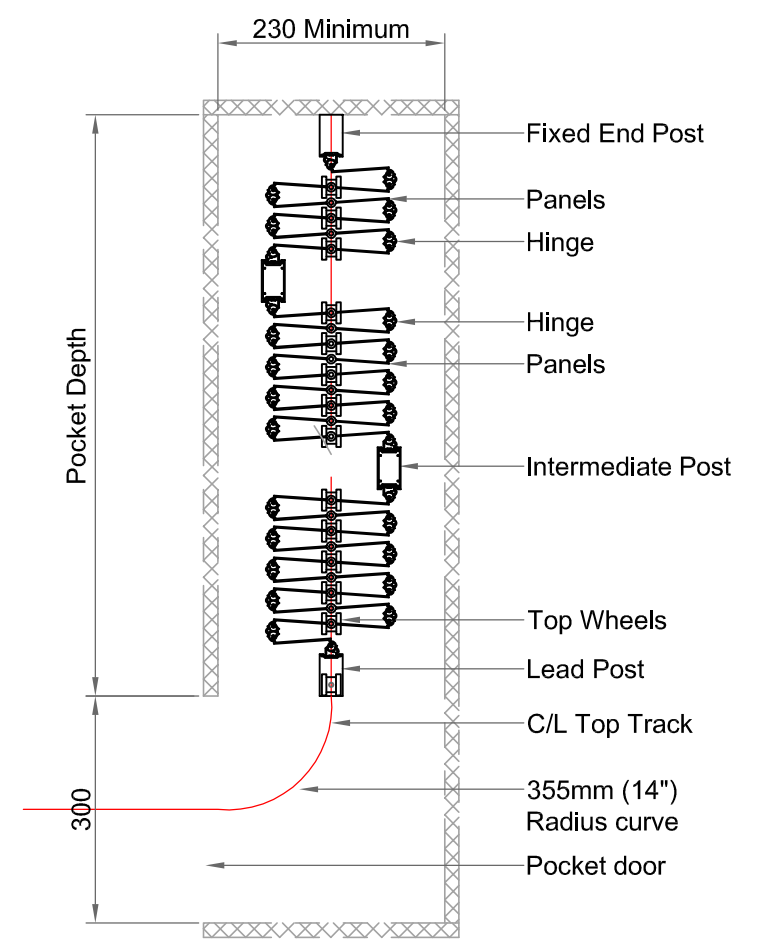
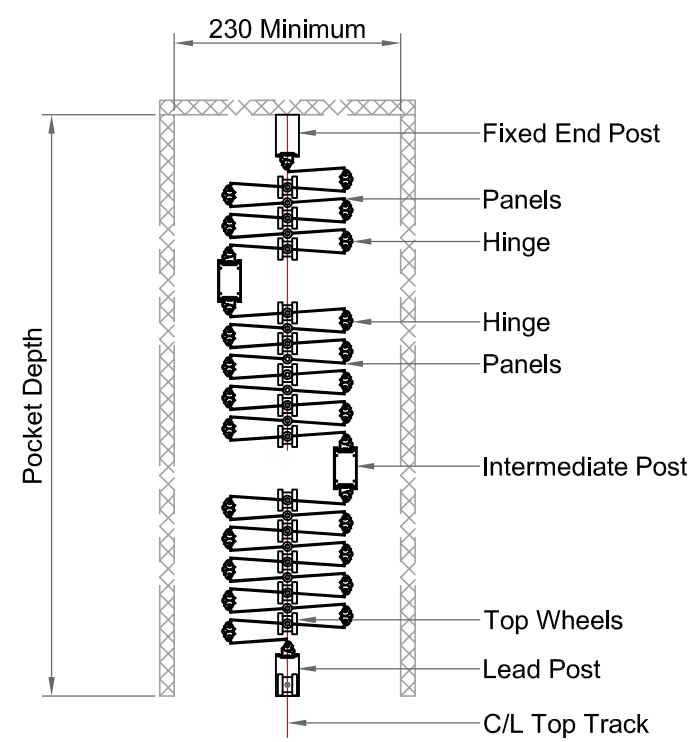
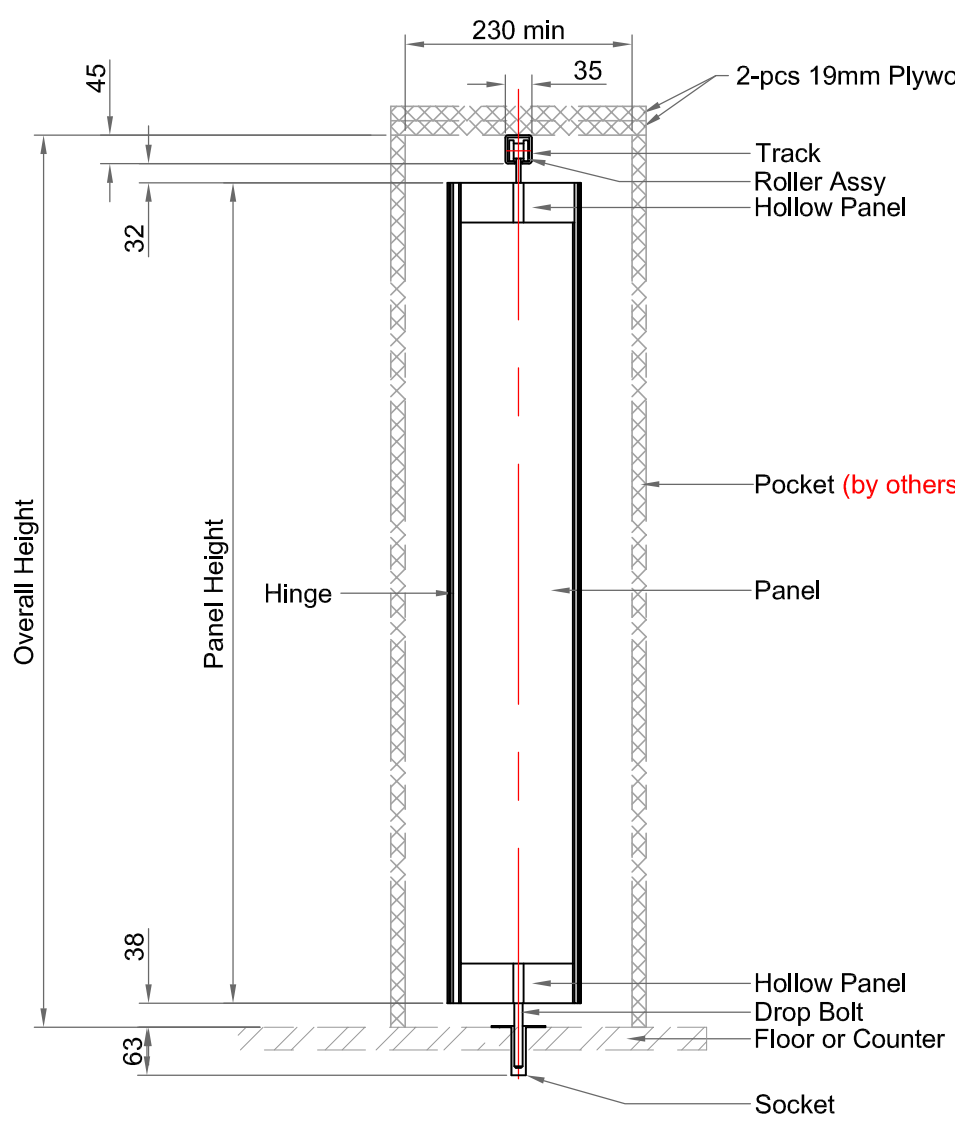
DRAWN	CHK'D	APP'D	DATE	SCALE
CH				

TITLE **AIR Wave Slotted Elevation Sliding Grilles**

Job No:
 Guardian maintains a policy of progressive design and we reserve the right to modify specifications without prior notice or alteration to this drawing

ISSUE	DATE	APP'D

1 2 3 4 5 6 7 8



Minimum Stacking
 1.05" per Foot of opening + 3.5" per post, or
 Approximately 2" per Foot of opening

Design Construction Details

- Minimal headroom required - 38mm wide x 46mm high track mounts to overhead structure to support unit.
- No floor track is required.
- Maximum recommended width of a single unit section is 30' 0" (before using a bi-parting unit).
- Maximum intermediate member spacing is 13' for full height units, 7' for countertop units.
- Operation is manual push / pull only.
- Minimum height for all units is 2' 0", Minimum width for all units is 4' 0".
- The grille support should be design to carry the weight of a fully stacked door at any point along its length

Optional Finishes

- For standard clear anodised components:**
- **Color Anodized: medium bronze, dark bronze or champagne**
 - **Custom wet paint**



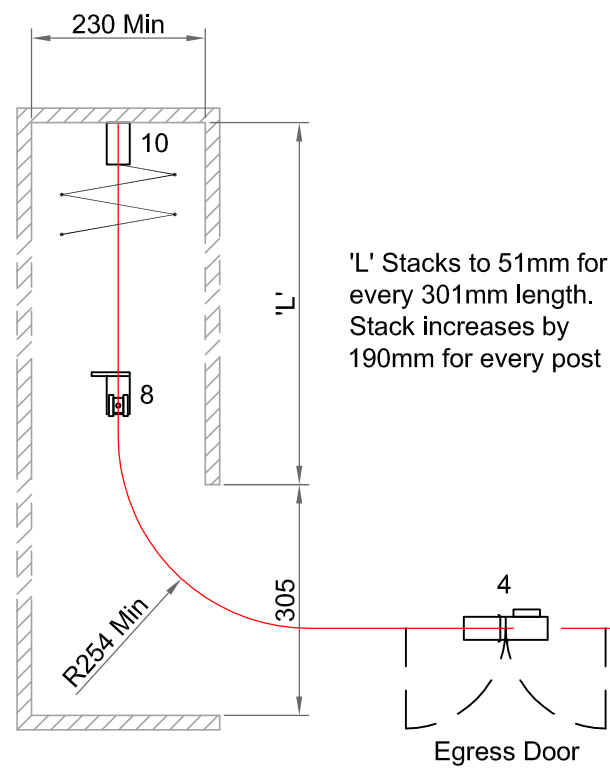
UNLESS OTHERWISE INDICATED
 ALL DIMENSIONS IN MILLIMETERS

DRAWN	CHK'D	APP'D	DATE	SCALE
CH			21/12 /11	

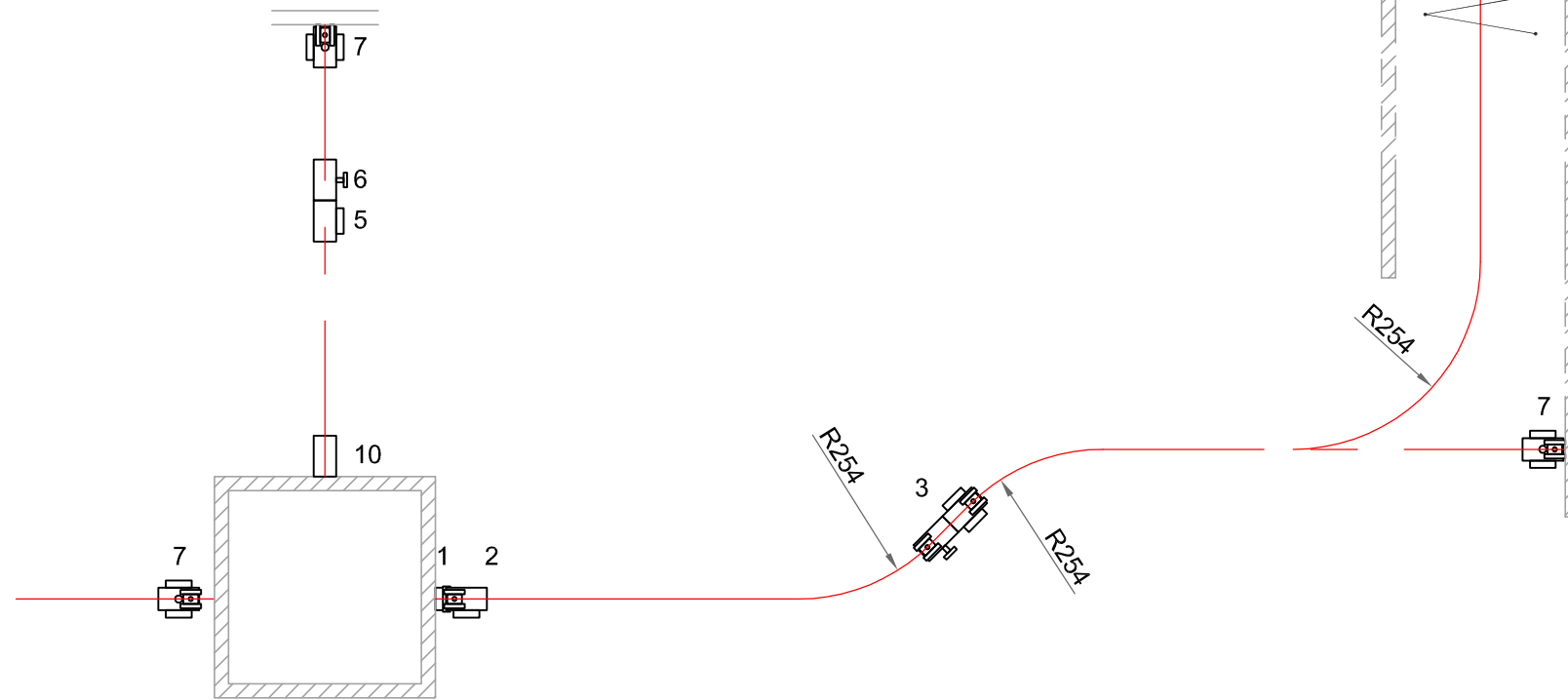
TITLE
 Pocket and Sliding Grilles information

Job No:
 Guardian maintains a policy of progressive design and we reserve the right to modify specifications without prior notice or alteration to this drawing

ISSUE	DATE	APP'D



'L' Stacks to 51mm for every 301mm length. Stack increases by 190mm for every post



See DWG DD-02 for Post Details



GUARDIAN
SLIDING GRILLES

Tel: +44(0)1702 512424
Fax: +44(0)1702 260117
www.slidingfoldinggrilles.co.uk

UNLESS OTHERWISE INDICATED
ALL DIMENSIONS IN MILLIMETERS

DRAWN	CHK'D	APP'D	DATE	SCALE
-------	-------	-------	------	-------

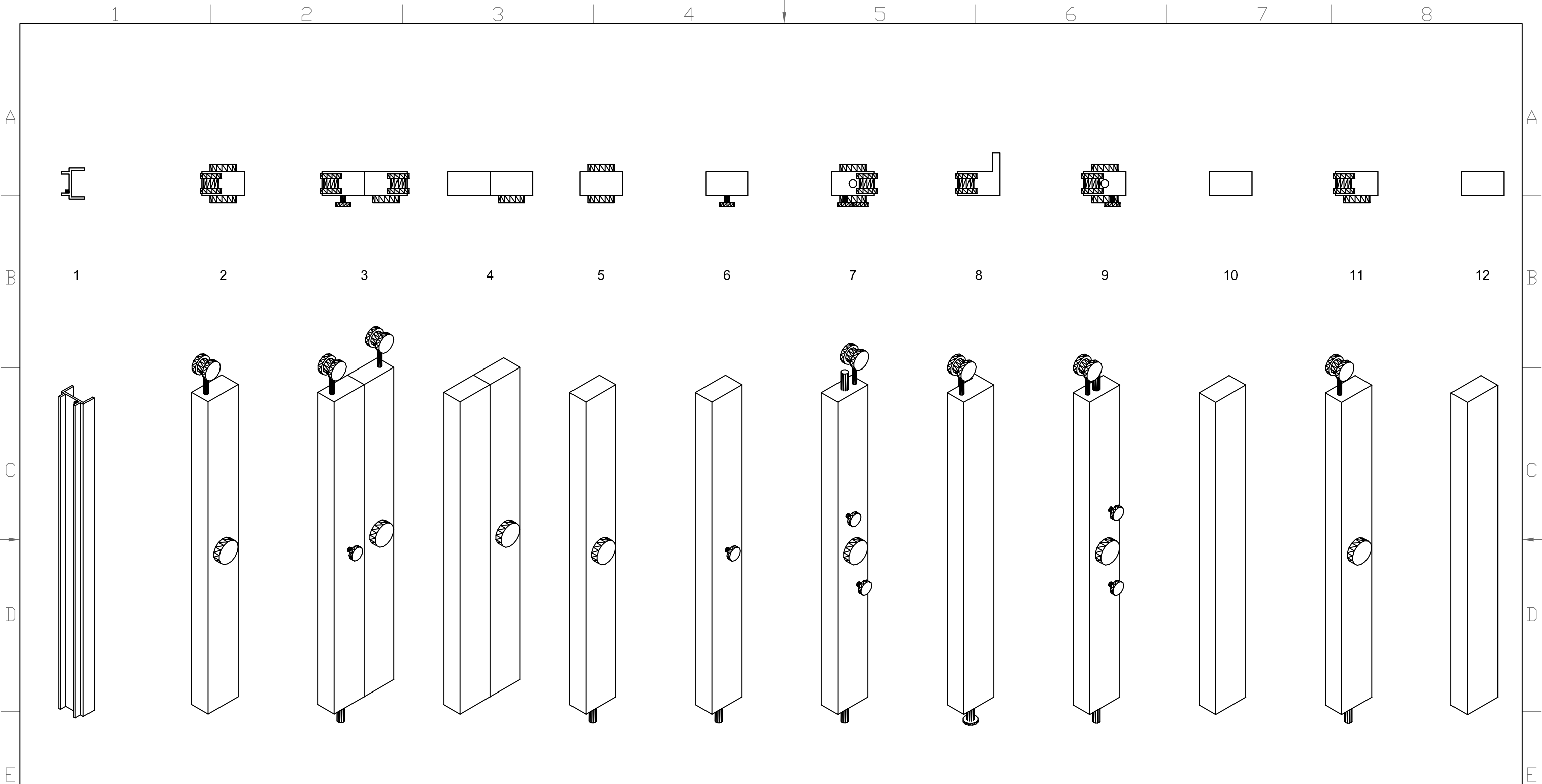
CH				
----	--	--	--	--

TITLE	Samples of Configuration Sliding Grilles			
-------	--	--	--	--

Job No:

Guardian maintains a policy of progressive design and we reserve the right to modify specifications without prior notice or alteration to this drawing

ISSUE	DATE	APP'D
-------	------	-------



- 1. Wall Jamb
- 2. Lead Post
- 3. Bi-Part c/w Drop Bolt on one Post
- 4. Egress Door
- 5. Intermediate Post c/w Cylinder & Drop Bolt
- 6. Intermediate Post c/w Knob & Drop Bolt
- 7. Top & Bottom Post c/w Drop Bolts
- 8. Trailing Back Post
- 9. Three Way Locking Post c/w Drop Bolts
- 10. Fixed End Post
- 11. End post c/w Drop Bolt, Track Stop & Back Plate
- 12. Connecting Post



UNLESS OTHERWISE INDICATED
 ALL DIMENSIONS IN MILLIMETERS

DRAWN	CHK'D	APP'D	DATE	SCALE
CH				

TITLE
**Vertical Posts
 Sliding Grilles**

Job No:
 Guardian maintains a policy of progressive design and we reserve the right to modify specifications without prior notice or alteration to this drawing

ISSUE	DATE	APP'D