

GUARDIAN
SLIDING GRILLES

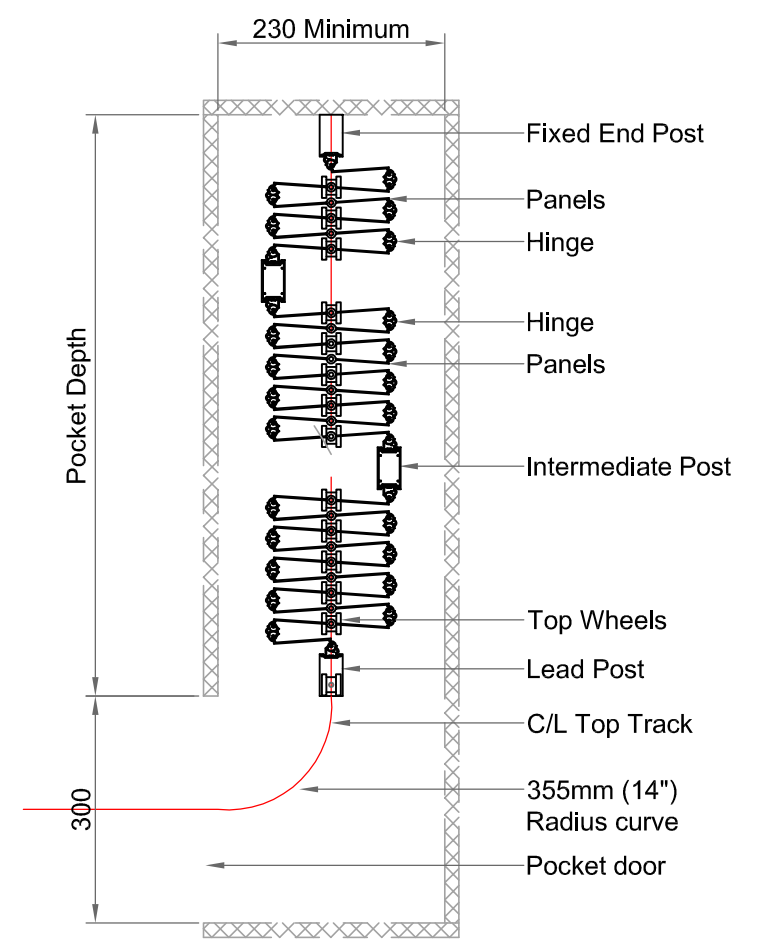
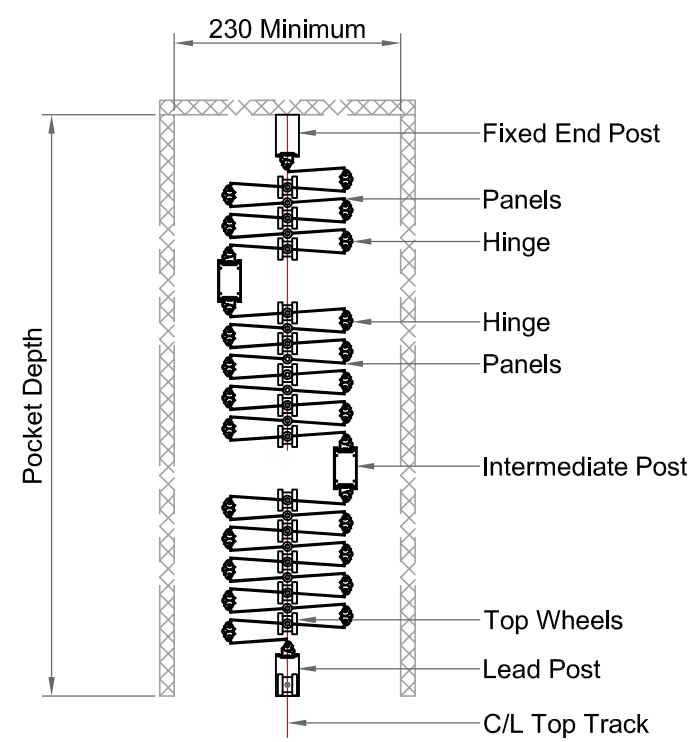
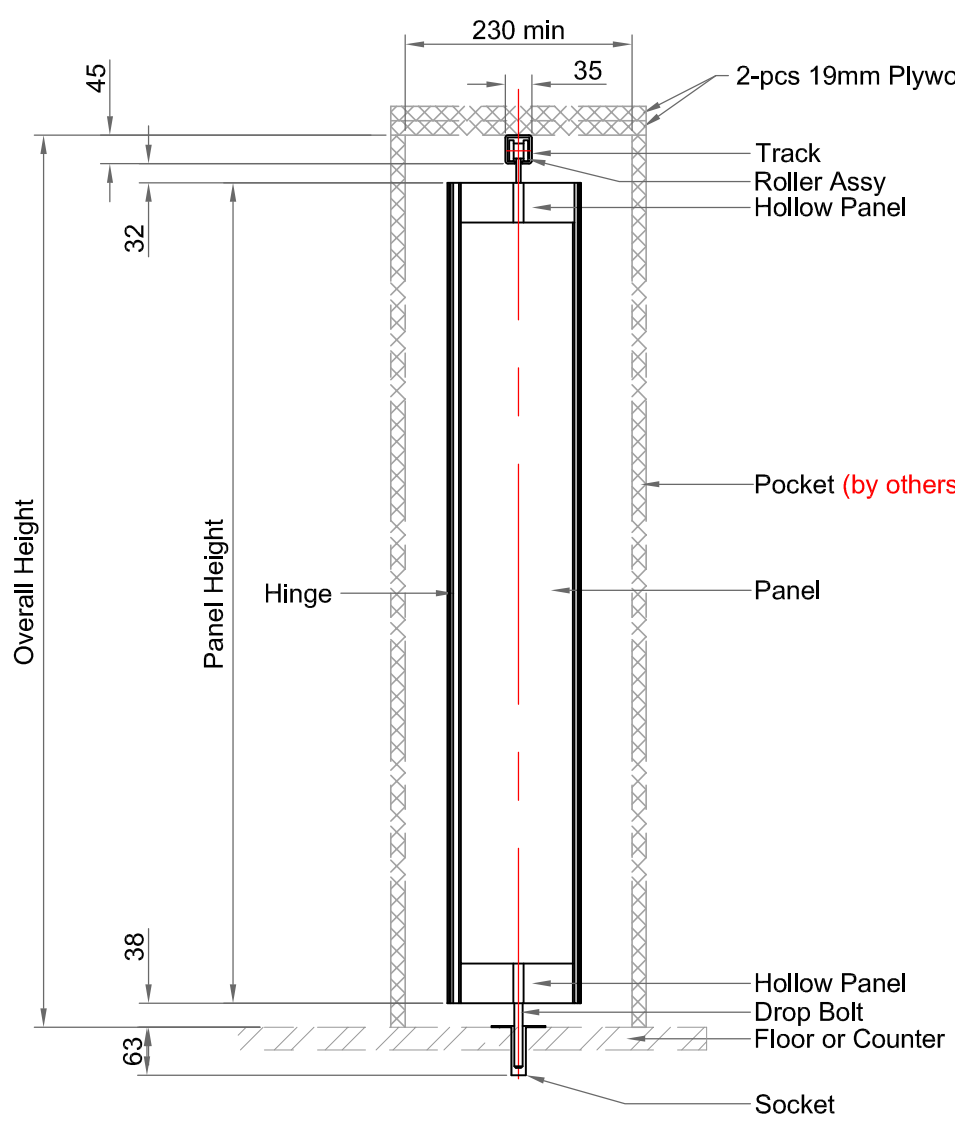
Tel: +44(0)1702 512424
Fax: +44(0)1702 260117
www.slidingfoldinggrilles.co.uk

UNLESS OTHERWISE INDICATED
ALL DIMENSIONS IN MILLIMETERS

DRAWN	CHK'D	APP'D	DATE	SCALE
CH			13/12/11	A3
TITLE LIGHT Wave Generic Layout				

Job No:
Guardian maintains a policy of progressive design and we reserve the right to modify specifications without prior notice or alteration to this drawing

ISSUE	DATE	APP'D



Minimum Stacking
 1.05" per Foot of opening + 3.5" per post, or
 Approximately 2" per Foot of opening

Design Construction Details

- Minimal headroom required - 38mm wide x 46mm high track mounts to overhead structure to support unit.
- No floor track is required.
- Maximum recommended width of a single unit section is 30' 0" (before using a bi-parting unit).
- Maximum intermediate member spacing is 13' for full height units, 7' for countertop units.
- Operation is manual push / pull only.
- Minimum height for all units is 2' 0", Minimum width for all units is 4' 0".
- The grille support should be design to carry the weight of a fully stacked door at any point along its length

Optional Finishes

- For standard clear anodised components:**
- **Color Anodized: medium bronze, dark bronze or champagne**
 - **Custom wet paint**

GUARDIAN
 SLIDING GRILLES
 Tel: +44(0)1702 512424
 Fax: +44(0)1702 260117
 www.slidingfoldinggrilles.co.uk

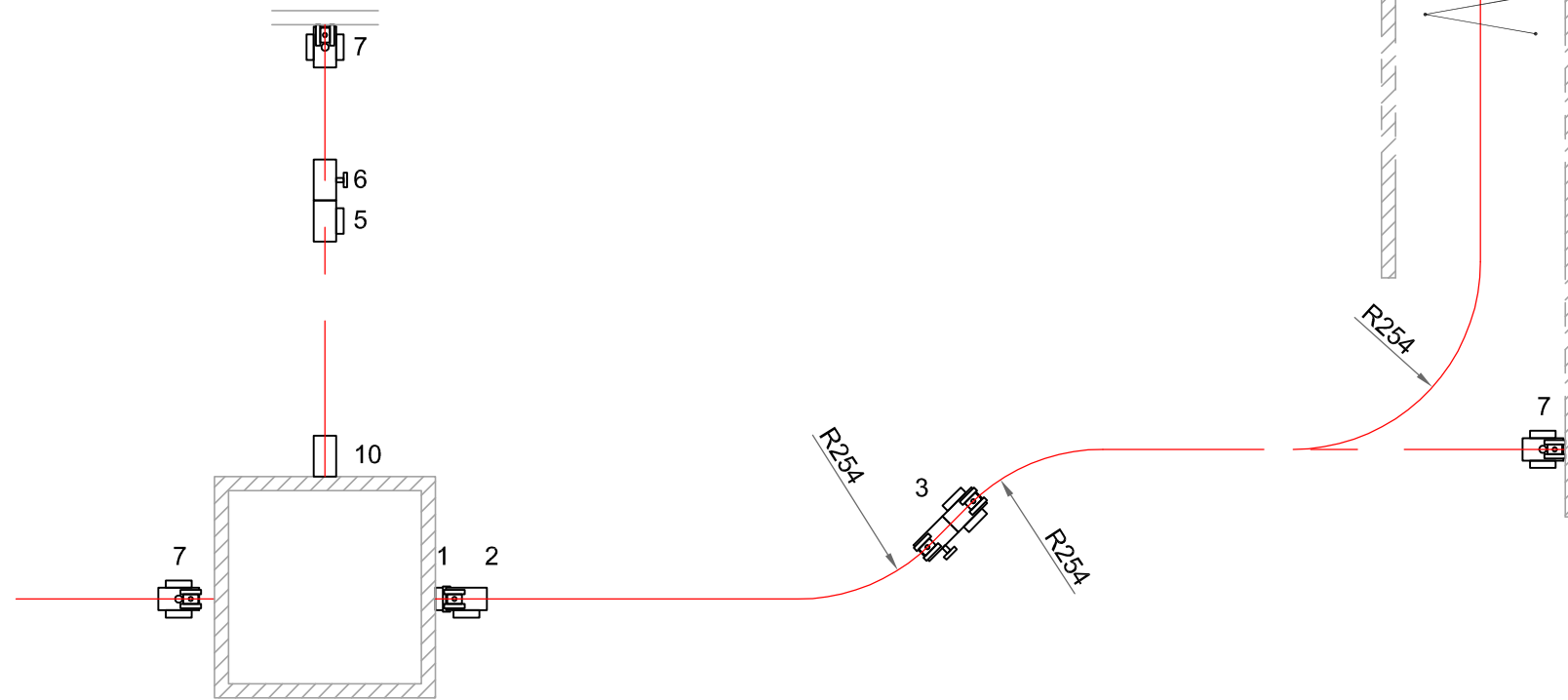
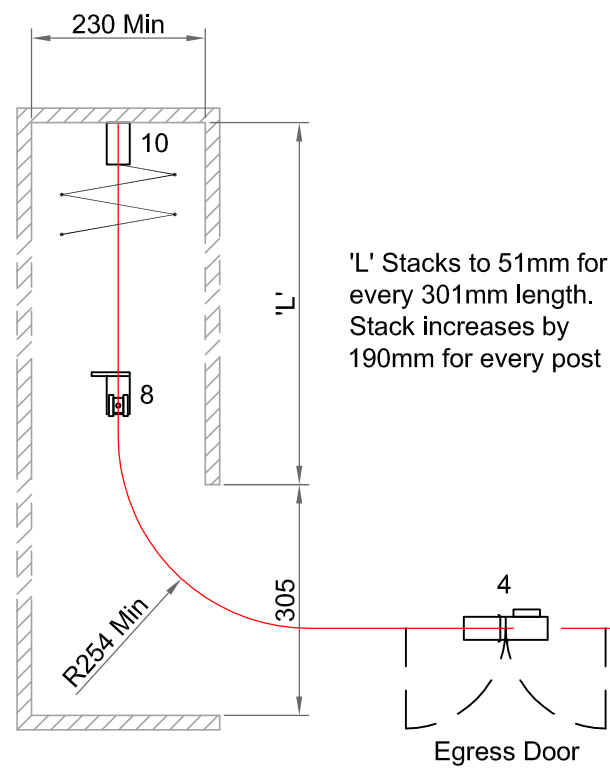
UNLESS OTHERWISE INDICATED
 ALL DIMENSIONS IN MILLIMETERS

DRAWN	CHK'D	APP'D	DATE	SCALE
CH			21/12 /11	

TITLE
 Pocket and Sliding Grilles information

Job No:
 Guardian maintains a policy of progressive design and we reserve the right to modify specifications without prior notice or alteration to this drawing

ISSUE	DATE	APP'D



See DWG DD-02 for Post Details



GUARDIAN
SLIDING GRILLES

Tel: +44(0)1702 512424
Fax: +44(0)1702 260117
www.slidingfoldinggrilles.co.uk

UNLESS OTHERWISE INDICATED
ALL DIMENSIONS IN MILLIMETERS

DRAWN

CHK'D

APP'D

DATE

SCALE

Job No:

ISSUE

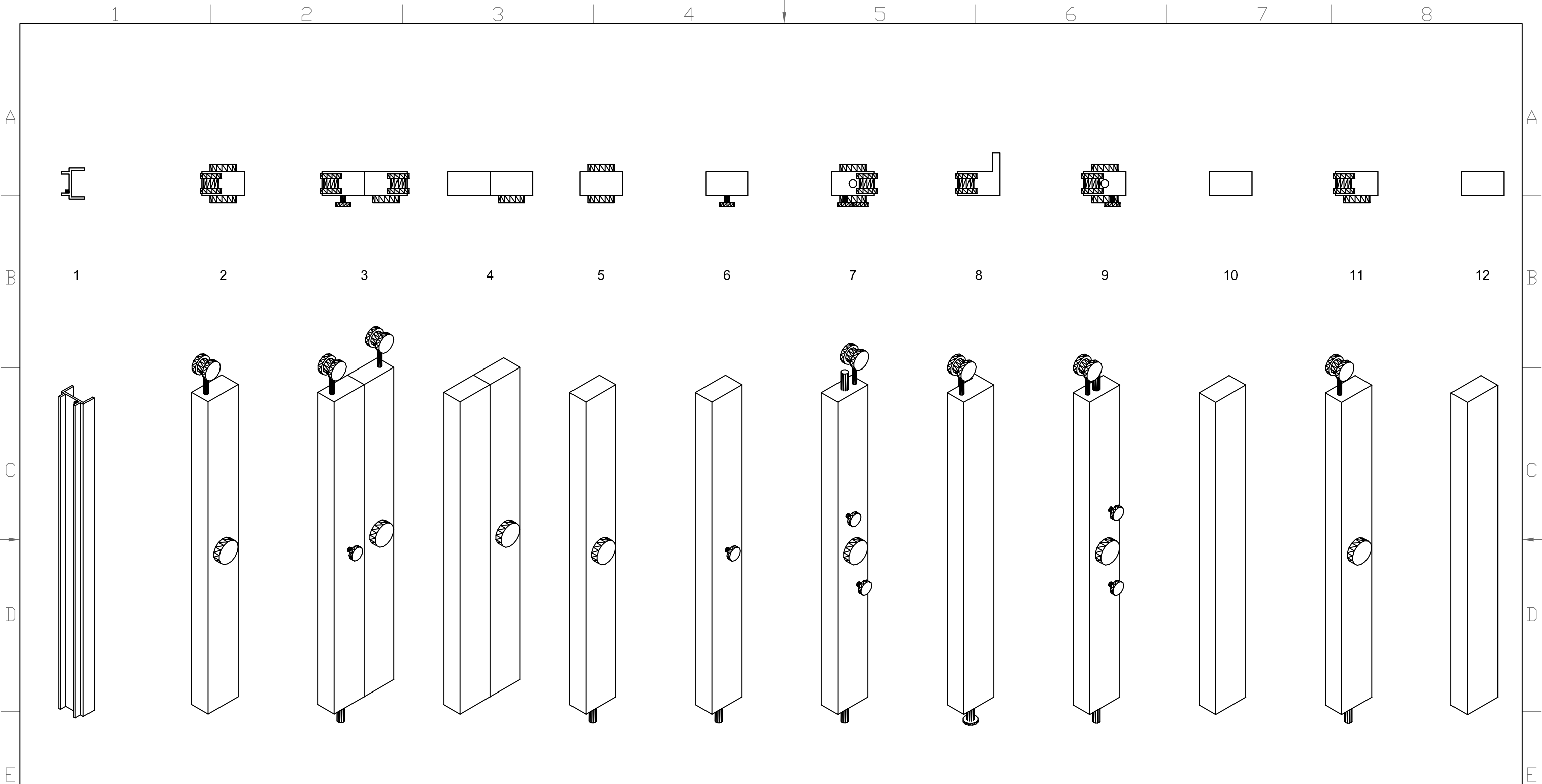
DATE

APP'D

TITLE

Samples of Configuration
Sliding Grilles

Guardian maintains a policy of progressive design and we reserve the right to modify specifications without prior notice or alteration to this drawing



- 1. Wall Jamb
- 2. Lead Post
- 3. Bi-Part c/w Drop Bolt on one Post
- 4. Egress Door
- 5. Intermediate Post c/w Cylinder & Drop Bolt
- 6. Intermediate Post c/w Knob & Drop Bolt
- 7. Top & Bottom Post c/w Drop Bolts
- 8. Trailing Back Post
- 9. Three Way Locking Post c/w Drop Bolts
- 10. Fixed End Post
- 11. End post c/w Drop Bolt, Track Stop & Back Plate
- 12. Connecting Post



UNLESS OTHERWISE INDICATED
ALL DIMENSIONS IN MILLIMETERS

DRAWN	CHK'D	APP'D	DATE	SCALE
CH				

TITLE
**Vertical Posts
Sliding Grilles**

Job No:
Guardian maintains a policy of progressive design and we reserve the right to modify specifications without prior notice or alteration to this drawing

ISSUE	DATE	APP'D