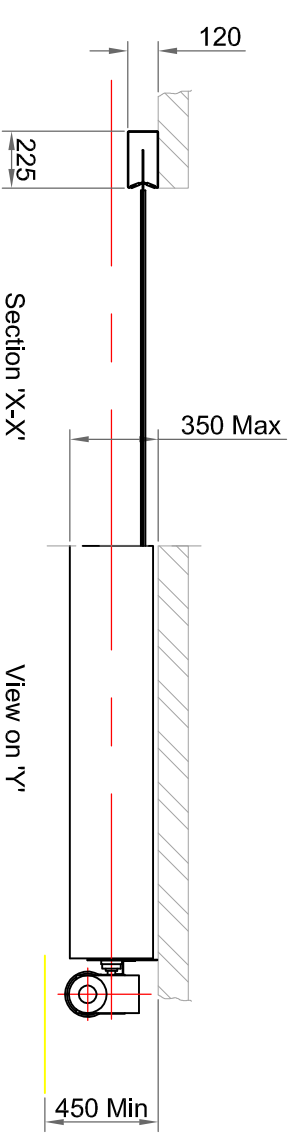
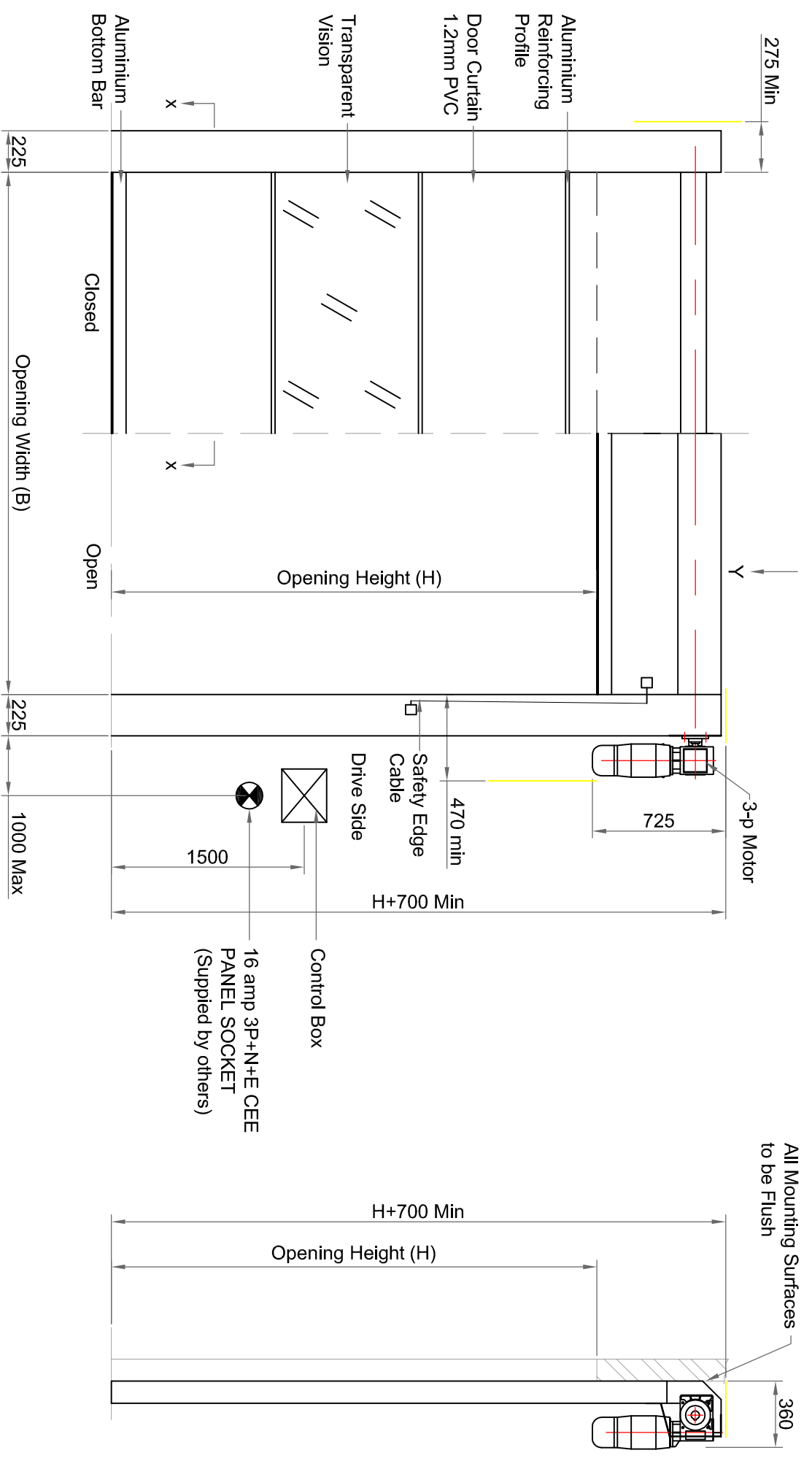
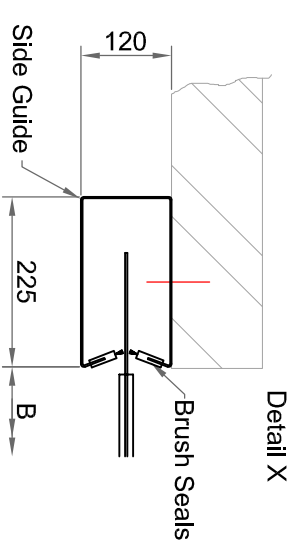


Dimensions

max width	6000mm
max height	6000mm
max surface area	36m ²
lateral space not drive side at barrel height	275mm
lateral space at the drive	470mm
lateral space at the drive for fitting	750mm
lateral space at side guide profiles	225mm
space above opening height	700mm

Performance

opening speed	approx	1 m/s
closing speed	approx	1 m/s



GUARDIAN
DOOR SOLUTIONS FOR ALL REQUIREMENTS

45 Progress Rd.
Leigh on Sea, SS9 5PR
Tel: +44(0)1702 512424
Fax: +44(0)1702 260117
www.guardiandoors.net

UNLESS OTHERWISE INDICATED
ALL DIMENSIONS IN MILLIMETERS

DRAWN	CHK'D	APP'D	DATE	SCALE
CH				

TITLE
**Installation Requirements for
Speedroller Heavy**

Job No:

Guardian maintains a policy of progressive design and we reserve the right to modify specifications without prior notice or alteration to this drawing

ISSUE	DATE	APP'D

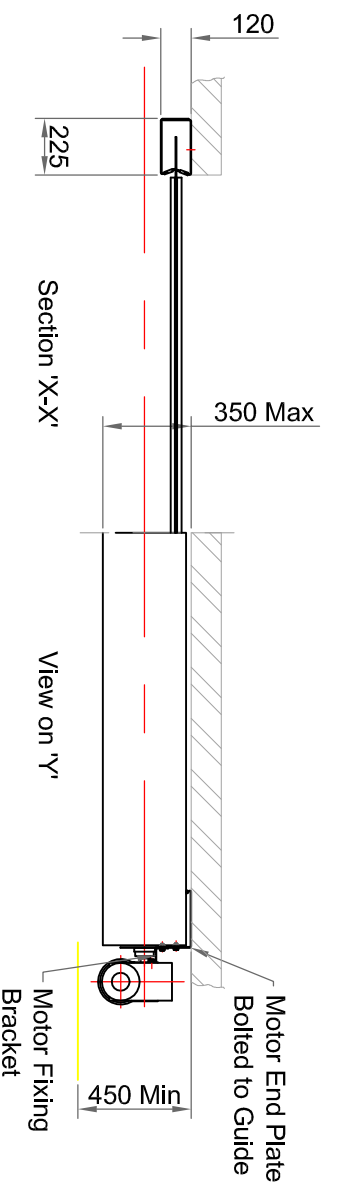
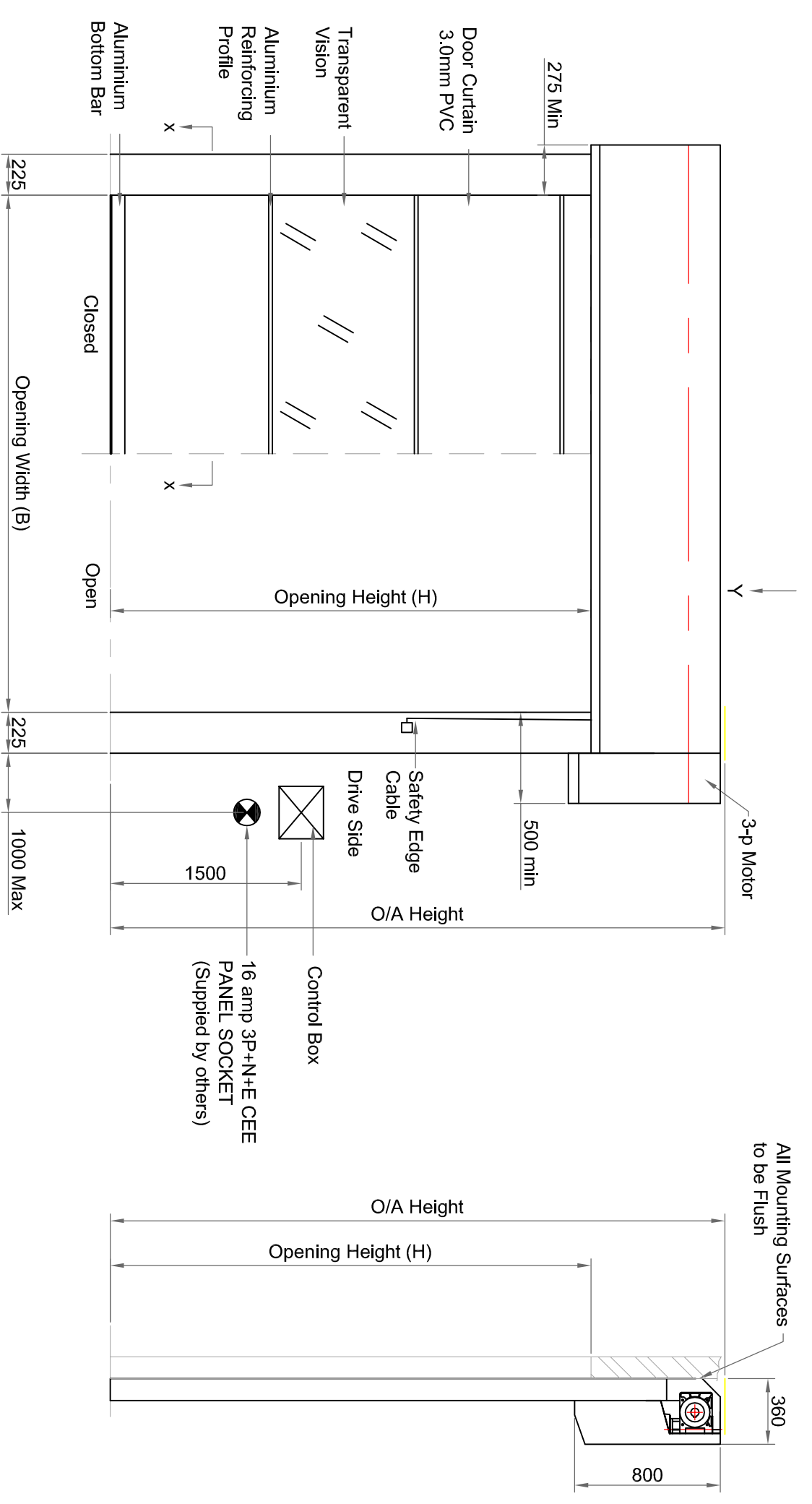
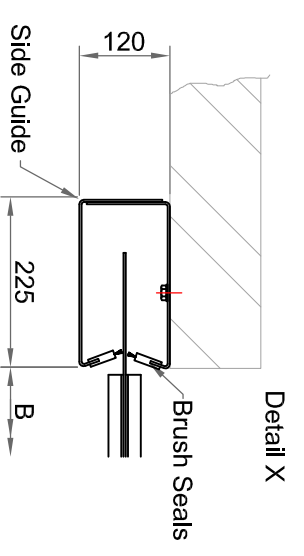
All Mounting Surfaces
to be Flush

Dimensions

max width	6000mm
max height	6000mm
max surface area	36m ²
lateral space not drive side at barrel height	275mm
lateral space at the drive	470mm
lateral space at the drive for fitting	750mm
lateral space at side guide profiles	225mm
space above opening height	710mm

Performance

opening speed	approx	1 m/s
closing speed	approx	1 m/s



GUARDIAN
DOOR SOLUTIONS FOR ALL REQUIREMENTS

45 Progress Rd.
Leigh on Sea, SS9 5PR
Tel: +44(0)1702 512424
Fax: +44(0)1702 260117
www.guardiandoors.net

UNLESS OTHERWISE INDICATED
ALL DIMENSIONS IN MILLIMETERS

DRAWN	CHK'D	APP'D	DATE	SCALE
CH				

TITLE
Installation Requirements for
Speedroller Heavy with Hood

Job No: _____

Guardian maintains a policy of progressive design and we reserve the right to modify specifications without prior notice or alteration to this drawing

ISSUE	DATE	APP'D

The Guardian Speed Heavy OUTDOOR is a rapid rolling door with electric drive. Applications are in industry and public utilities with exterior openings. Functionality includes; energy saving, draught exclusion and climate control.

Components and construction

The Guardian Speed Heavy OUTDOOR is a door without balance springs, consisting of an electrically driven door curtain rolled up on a roller above the opening. The door curtain is made of horizontal sections of polyester-reinforced PVC. The sections are fitted with aluminium reinforcement profiles. The door curtain has a transparent PVC vision section between approx. 1200 and 2200 mm height. On the underside of the door curtain there is an aluminium bottom beam with soft rubber sealing profile. A U-shaped profile with brush seals ensures lateral guidance of the door curtain. The side guides are one unit combined with the bearing plates for the fastening of the roller and drive. A curtain tensioning system is provided for doors starting at 9 m2

Materials

The lateral guide is 2 galvanised steel profiles with brush seals removable for installation and maintenance. The horizontal roller is steel. The bottom beam is aluminium. Door curtain 1.2 mm thick PVC, available in blue, yellow, black, orange, grey, red or white, including transparent vision section.

Dimensions

- max. width (W)6000 mm
- max. height (H)6000 mm
- max. surface area (W x H).....36 m2
- max. wind load8 Beaufort
- lateral space at lateral guide profiles225 mm
- lateral space not drive side (above).....275 mm
- lateral space drive side (above)470 mm
- lateral space drive side (above) for fittingmin. 750 mm
- space above700 mm
- fitted depth (from the wall)400 mm

Remove ALL sharp edges

Drive
The door is driven by an electric motor with reduction unit. The roller is directly driven. Drive side as specified right as (standard) or left

Control

- The control system regulates a multitude of functions such as:
- adjustable open time or so-called 'deadman operation'
 - service and run mode
 - LED indication for control of the various functions
 - choice of permanently open or permanently shut.

Operation

The control box has 3 buttons as standard (open-stop-close) and a CEE plug. Operation can be by pull switch, key-operated switch, push-button, photocell, radar, induction loop detection or radio control with transmitter and receiver. Other forms of operation on request.

Performance

The opening and closing speed amounts to approx. 1.0 m/s.

Safety

- the door can be manually opened in the case of a power loss
- the bottom beam has a self-testing safety edge that stops the door and immediately opens it again if it comes into contact with an obstacle when closing; this protection is insensitive to humidity
- on the lateral guide profiles a safety photocell and reflector are fitted as standard (250 mm from the floor); the door will not close if the beam is broken
- the drive has built-in roll-off safety.
- connection of traffic lights (red and green) 1)
- warning flashing light (orange or red) 1)

Structural provisions and connection

- for the electrical connection there must be a wall socket within 500 mm of where the control box will be positioned(CEE form 3-NPE/400V/50HZ/16A). As standard this is fitted at a height of approx. 1500 mm from the floor on the drive side.

Technical details

mains voltage3-NPE/400V/50HZ/16A
degree of protectionIP54
consumed powermax. 4 KW.

Auxiliary components/optional extras/accessories

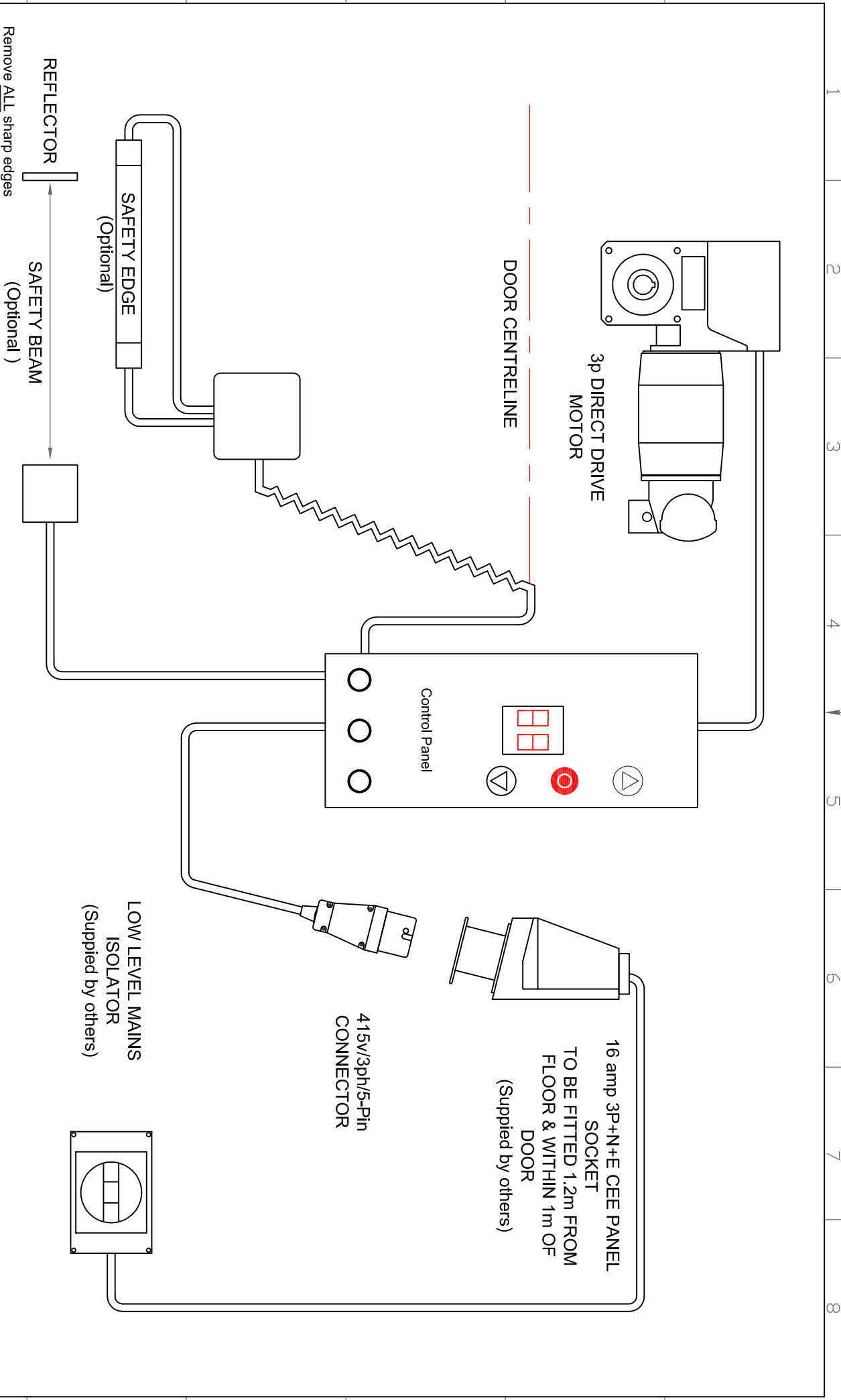
- PVC hood over driver/roller or both
- lateral guide profiles and PVC hood in customer-specified RAL colour
- aluminium 'Break Away' end pieces in the bottom beam (crash resistant); the wind resistance is then limited to 5 Beaufort
- other connection values than 3N-400V/50HZ/16A
- electrical part in IP65
- control by frequency control where:
max. opening speed1,5 m/s
- max. closing speed.....0,75 m/s
- operation by push-buttons, pull switches, photocell, radar, induction loop or by radio control
- 'half height' setting (for personnel access)
- door interlock control in combination with another door
- connection of traffic lights (red/green or red and green).



DOOR SOLUTIONS FOR ALL REQUIREMENTS

45 Progress Rd.
Leigh on Sea, SS9 5PR
Tel: +44(0)1702 512424
Fax: +44(0)1702 280117
www.guardiandoors.net

UNLESS OTHERWISE INDICATED ALL DIMENSIONS IN MILLIMETERS					JOB NO:	ISSUE	DATE	APP'D
DRAWN	CHK'D	APP'D	DATE	SCALE	Guardian maintains a policy of progressive design and we reserve the right to modify specifications without prior notice or alteration to this drawing			
CH								
TITLE								
High Speed door Heavy Technical Information								



GUARDIAN
 DOOR SOLUTIONS FOR ALL REQUIREMENTS

45 Progress Rd.
 Leigh on Sea, S59 5PR
 Tel: +44(0)1702 512424
 Fax: +44(0)1702 280117
 www.guardiandoors.net

UNLESS OTHERWISE INDICATED
 ALL DIMENSIONS IN MILLIMETERS

DRAWN	CHK'D	APP'D	DATE	SCALE
CH				

TITLE
 ELECTRIC SYSTEM FOR DIRECT DRIVE MOTOR WITH CONTROLLER

Job No:
 Guardian maintains a policy of progressive design and we reserve the right to modify specifications without prior notice or alteration to this drawing

ISSUE	DATE	APP'D
1	11/09	RWE