

ROLLING GRILLES CARPARK MODEL

ROLLING GRILLES DESIGNED
AND TESTED FOR INTENSIVE USAGE

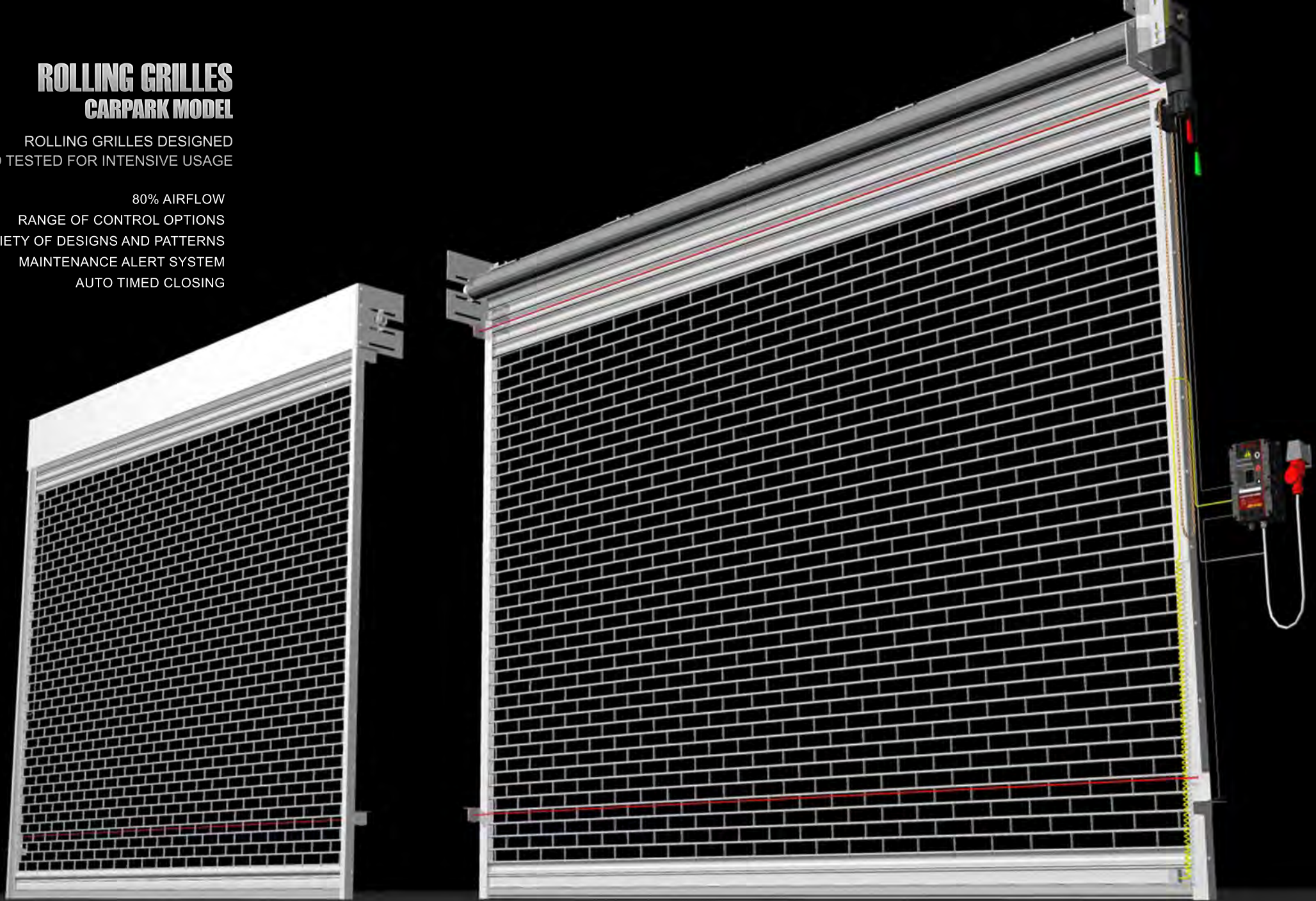
80% AIRFLOW

RANGE OF CONTROL OPTIONS

VARIETY OF DESIGNS AND PATTERNS

MAINTENANCE ALERT SYSTEM

AUTO TIMED CLOSING



The GUARDIAN CARPARK CONFIGURATION Rolling Grille has been designed and tested for intense usage, Available in a range of patterns and spacing sizes to suit your requirements. A variety of control options are available for standalone systems or the grilles can be integrated into a wider building management / access control systems. As an option the door can be linked via the internet to our maintenance system for remote monitoring

IMAGE INFORMATION SHOWN HERE IS OUR STANDARD CARPARK CONFIGURATION WITH 3 PHASE DIRECT DRIVE MOTOR AND STANDARD SAFETY FEATURES OF 4 PHOTOCELLS AND OPTO SAFETY EDGE. THE DESIGN IS MODULAR SO MORE OR LESS SOLID SECTIONS CAN BE ADDED OR REMOVED. THE GRILLE ON THE LEFT IS SHOWN WITH A FACIA PANEL THE RIGHT HAND GRILLE IS SHOWN WITH NO COIL CASING FOR ILLUSTRATIVE PURPOSES ONLY.

GUARDIAN
INDUSTRIAL DOORS
TEL 0800 7836602
GUARDIANDOORS.COM



IMAGE INFORMATION SHOWN HERE IS ONE OF OUR STANDARD CARPARK CONFIGURATION ROLLER GRILLES WITH AN ADDITIONAL PERSONNEL GATE ACCESSED VIA PROXIMITY FOBS

THE DESIGN IS MODULAR SO MORE OR LESS SOLID SECTIONS CAN BE ADDED OR REMOVED.

© GUARDIAN INDUSTRIAL DOORS 2007 - ALL RIGHTS RESERVED



GUARDIAN CARPARK ROLLER SHUTTERS FIT IN WITH CONTEMPORARY AESTHETICS OF MODERN ARCHITECTURAL DESIGN



GUARDIANDOORS.COM

0800 783 6602

ROLLER SHUTTERS - SECTIONAL OVERHEAD DOORS - INSULATED DOORS - FOLDING DOORS
 STEEL DOORS - FIRE RATED DOORS - SECURITY DOORS - SLIDING GATES - HIGH SPEED DOORS

Construction Products Regulation

Declaration of conformity and performance

1. Identification code - Car Park Roller Shutter.
2. Serial Number –
3. Year of manufacture -
4. Intended use - Internal or external access door.
5. Manufacturer - Guardian Industrial Doors LTD - 45 Progress rd, Leigh – On – Sea, Essex, SS9 5PR
6. Authorised representative : N/A
7. Relevant harmonised standards: BS EN 13241-1:2003+A1:2011, PDQ labs Warrington APT 1104 performed initial type tests under EN13241-1 2003, EN12424:2000, EN12444:2001, EN12604:2000, and issued test reports, 158735/1, 158735/2, 158735/3 157386
8. European Technical assessment: Not applicable.
9. Declared performance

	Guardian Industrial Doors LTD 45 Progress Road Leigh –On –Sea Essex SS9 5PR	
Characteristic	Declared Performance	Harmonised Standard
Resistance to wind load	NPD	BSEN 13241-1:2003 + A1 :2011 In accordance with the machinery directive MD/98/37/EC.)
Dangerous substances	None	
Safe opening	Pass	
Mechanical resistance and stability	Pass	
Operating forces	Pass	
Thermal resistance	NPD	
Air Permeability	NPD	
Durability of Water tightness, Air permeability and thermal resistance against degradation.	NPD	

Specific technical documentation: Operation and maintenance manual.

10. The performance of the product in points 1 and 2 is in conformity with the declared performance in point 9. This declaration of performance is the sole responsibility of the manufacturer identified in point 5.

Signed on behalf of the manufacturer by:

R. Everitt.

General Manager



Guardian Industrial Doors Ltd
 Managing Director. RW Everitt Company Secretary: E Everitt
 Registered Office: 45 Progress Road, Leigh on Sea, Essex SS9 5PR
 Fax No 01702 260117
 Registered in England No 1447746

L20 DOORS / SHUTTERS / HATCHES

610 ROLLER SHUTTER

Product reference: GUARDIAN CAR PARK RANGE – CP

Performance: Not applicable

Arrangement: Vertical roller shutter

Accreditation: BS EN 1324

Online Information - <http://www.guardiandoors.net/products/roller-shutters/car-park-range-apollo/cp-model/cp-model-overview>

Designed for Carparks and high intensity usage, steel construction, range of curtain options for air flow.

Dimensions:

Opening height up to 4000mm, opening width up to 4000mm.

Shutter weight: 35 kg/m² of door opening.

Curtain

As standard constructed from 75mm galvanized cold rolled scroll sections of suitable gauge, each alternate lath is fitted with a steel or nylon end lock to prevent lateral movement wind anchor locks on larger doors.

The curtain can be modified in whole or part with the below options in red.

Curtain Modification

Perforations 2 mm O/D

Punchings 119mm w x 19 mm h Brick bond - Inline

Punchings 152mm w x 25 mm h Brick bond - Inline

Punchings 150mm w x 38 mm h Brick bond - Inline

Tube and link grille module 127mm w x 90 mm h Brick bond - Inline

Bottom Rail

The base of the curtain is fitted with a steel angle reinforcing rail of adequate size forming an inverted 'T'.

Side Guides

Formed from cold rolled mild steel channel sections secured to the opening structure by full height mild steel fixing angles.

Roller Assembly

Constructed from steel tube, mounted on bright steel shafts running in ball races,

Endplates

The roller assembly is supported by steel endplates with mounting angles for fixing to the support structure.

Roller Enclosure (optional extra)

Formed from galvanised pressed sheet metal to enclose the rear of the shutter barrel and curtain assembly.

Operation

415v 50Hz 3 phase SafeDrive motor with emergency hand chain override

240v 50Hz 1 phase SafeDrive motor with emergency hand chain override (only used when necessary due to site power restrictions, the duty cycle of is reduced by 40%)

Control panel With lcd status display, one touch impulse opening, hold to close. Also features maintenance alert system, fault recording, operation counter,

Finish

Galvanised and primed ready to paint, Or powder coated to any standard BS or Ral number

Consult with Guardian Industrial Doors Ltd technical literature for details. Guardian Doors can also provide a design and specification advisory service and it is recommended that they are consulted early in the design process.

Manufacturer: GUARDIAN INDUSTRIAL DOORS 45 Progress Road Leigh On Sea Essex, SS9 5PR Tel: 01702 512424. Fax: 01702 510015. Email: mail@gardiandoors.com Web: www.guardiandoors.com

OPTIONS

Controls and operation

Key switch control unit – flush mounted

Key switch control unit – surface mounted

External weatherproof push button

Key lockable push button control

Group control unit for up to 6 shutters simultaneously (**will require additional safety pressure edge.**)

Radio controlled (**will require additional safety pressure edge.**)

Induction loop control

Radar detectors

Mobile phone operation module

Safety Systems

Safety bottom edge

Safety photo cell beam

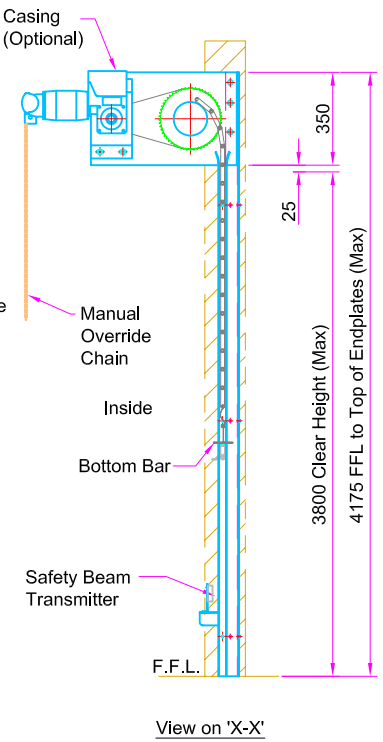
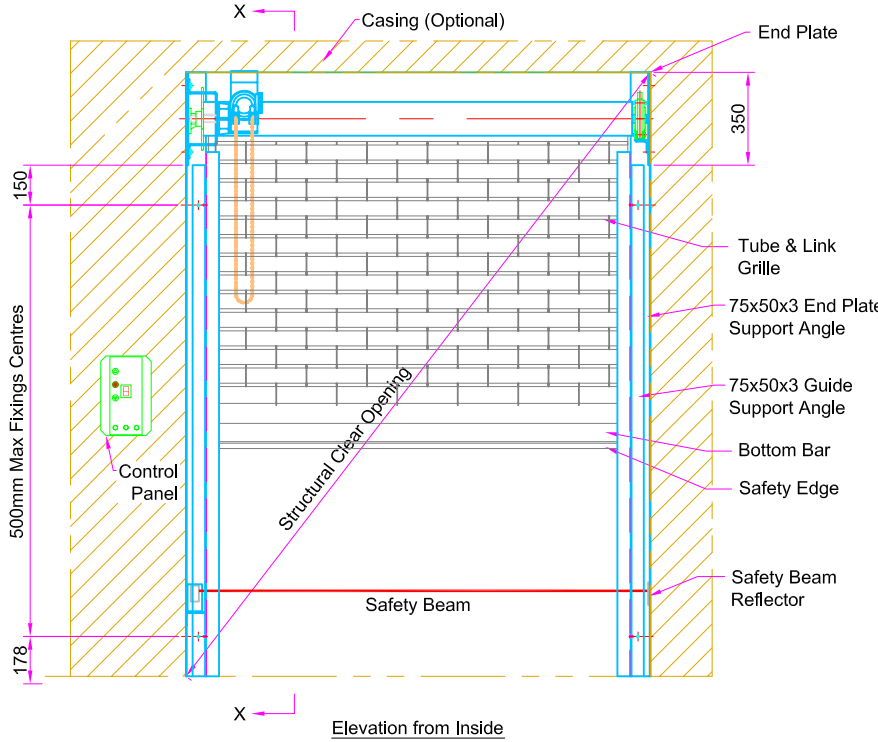
Seals

Guide rail brush strip
Rubber bottom seal
Soffit brush strip

Finish

Powder coated to any standard BS or Ral number

16 amp 3P+N+E CEE
 PANEL SOCKET
 TO BE FITTED 1.5m
 FROM FLOOR & WITHIN
 1m OF DOOR
 (Supplied by others)



This drawing is supplied as a General Layout showing relative positions of main components and Guardian Industrial Doors Ltd accepts no responsibility for accuracy until a Site Survey has been undertaken.

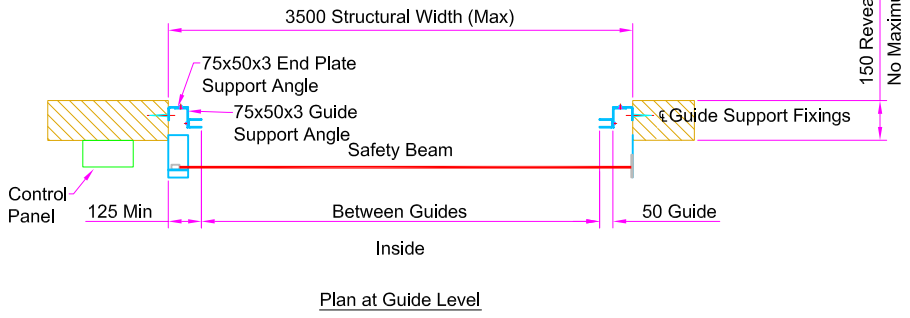
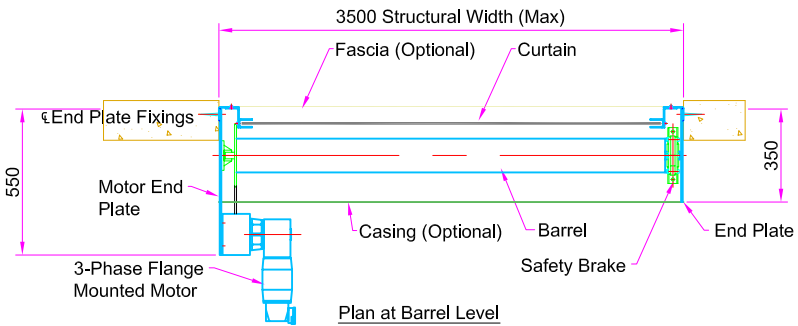
If the End Plates and Barrel are within a False Ceiling or Soffit a Full Width Access Panel is required. (by others)

Fixing To:-	
Steel	M8/M10 Set Screws
Brick	M8/M10 Rawbolts/Sleeve Anchors
Blockwork	M8/M10 Rawbolts/Sleeve Anchors
Timber	M8/M10 Coach Screws
Concrete	M8/M10 Rawbolts

The Client is responsible for making sure that the structure is capable of withstanding the weight of the shutter and suitable fixing points are available for the End Plate and Guide support channel.

The chart below shows the weight for a shutter with a maximum structural clear opening of 3500mmW x 4175mm H

	Weights (kg)
Barrel	47
Curtain	147
End Plates	12
Guides	26
Angles/Channels	27
Motor/HCG	35
Safety Brake	10
	304



GUARDIAN
 DOOR SOLUTIONS FOR ALL REQUIREMENTS

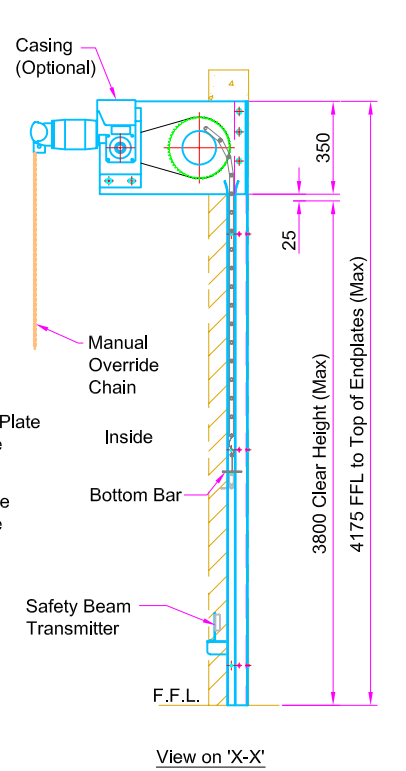
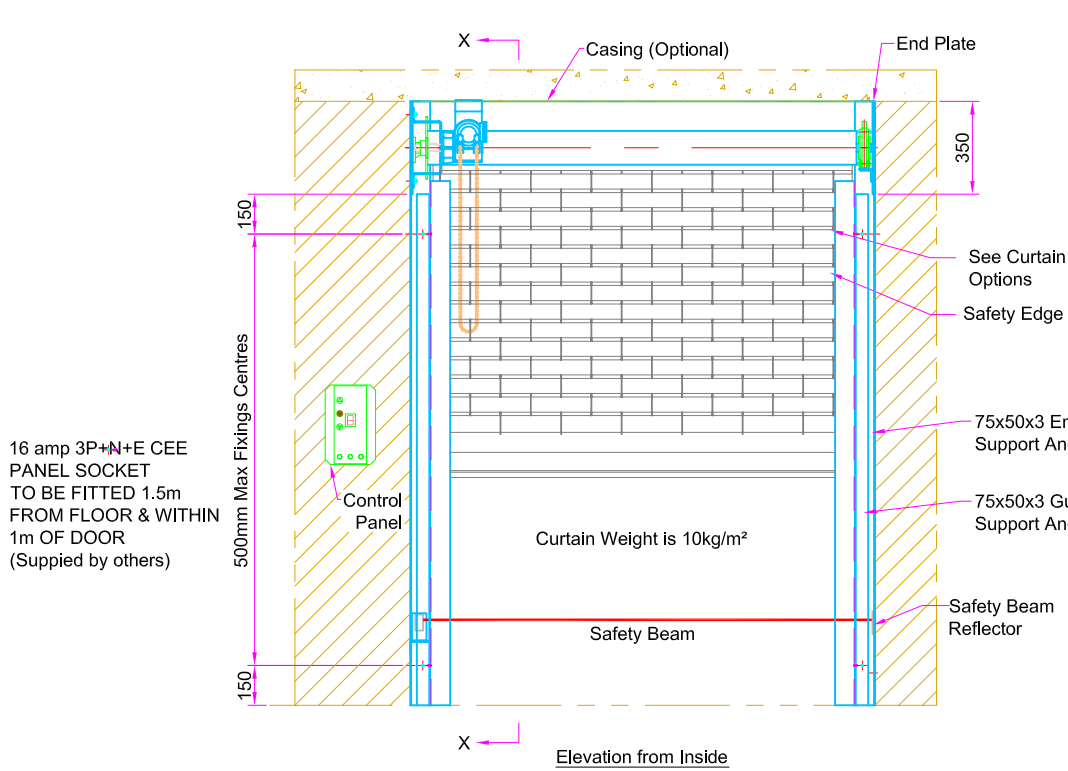
45 Progress Rd,
 Leigh on Sea, SS9 5PR
 Tel: +44(0)1702 512424
 Fax: +44(0)1702 260117
 www.guardiandoors.com

UNLESS OTHERWISE INDICATED
 ALL DIMENSIONS IN MILLIMETERS
 AND ALL TOLERANCES ±1.0

DRAWN	CHK'D	APP'D	DATE	SCALE	Drwg No:	ISSUE	DATE	APP'D
MB				NTS	Apollo TP-1-LH			
TITLE					Guardian maintains a policy of progressive design and we reserve the right to modify specifications without prior notice or alteration to this drawing			
APOLLO 3-ph FLANGE MOUNTED MOTOR REVEAL FIX.								
3500mm W x 4175mm H Max.						1	04/07	PN

1 2 3 4 5 6 7 8

A
B
C
D
E
F



This drawing is supplied as a General Layout showing relative positions of main components and Guardian Industrial Doors Ltd accepts no responsibility for accuracy until a Site Survey has been undertaken.

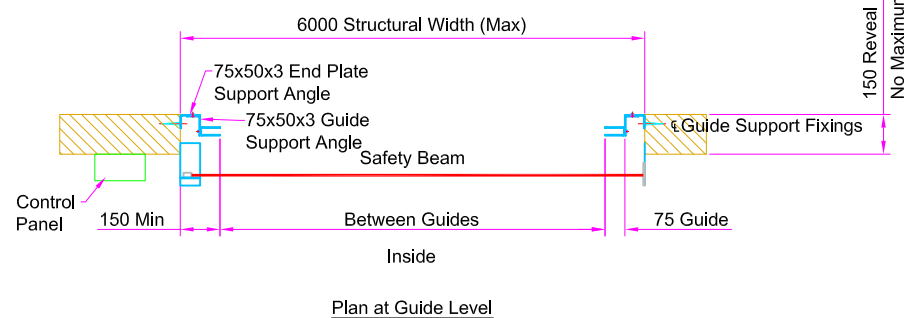
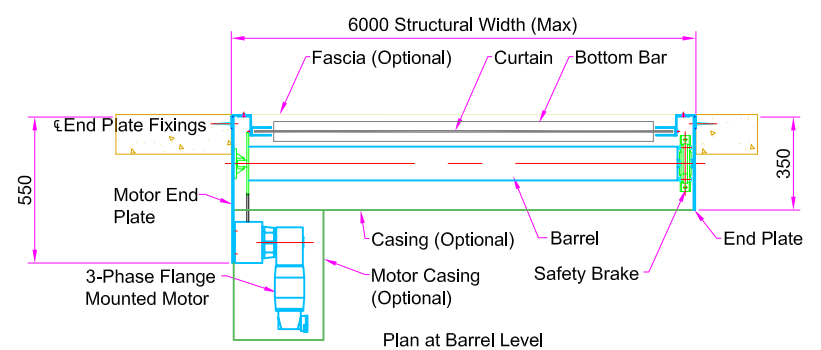
If the End Plates and Barrel are within a False Ceiling or Soffit a Full Width Access Panel is required. (by others)

Fixing To:-	
Steel	M8/M10 Set Screws
Brick	M8/M10 Rawbolts/Sleeve Anchors
Blockwork	M8/M10 Rawbolts/Sleeve Anchors
Timber	M8/M10 Coach Screws
Concrete	M8/M10 Rawbolts

The Client is responsible for making sure that the structure is capable of withstanding the weight of the shutter and suitable fixing points are available for the End Plate and Guide support channel.

The chart below shows the weight for a shutter with a maximum structural clear opening of 6000mmW x 4175mm H

	Weights (kg)
Barrel	80
Curtain	251
End Plates	12
Guides	36
Angles/Channels	27
Motor/HCG	40
Safety Brake	10
	456



150mm Reveal Depth (min)
No Maximum

GUARDIAN
DOOR SOLUTIONS FOR ALL REQUIREMENTS

45 Progress Rd,
Leigh on Sea, SS9 5PR
Tel: +44(0)1702 512424
Fax: +44(0)1702 260117
www.guardiandoors.com

UNLESS OTHERWISE INDICATED
ALL DIMENSIONS IN MILLIMETERS
AND ALL TOLERANCES ±1.0

DRAWN	CHK'D	APP'D	DATE	SCALE	Drwg No:	ISSUE	DATE	APP'D
MB				NTS	Apollo TP-2-LH			
TITLE					Guardian maintains a policy of progressive design and we reserve the right to modify specifications without prior notice or alteration to this drawing			
					1	04/07	PN	

1 2 3 4 5 6 7 8

1 2 3 4 5 6 7 8

A

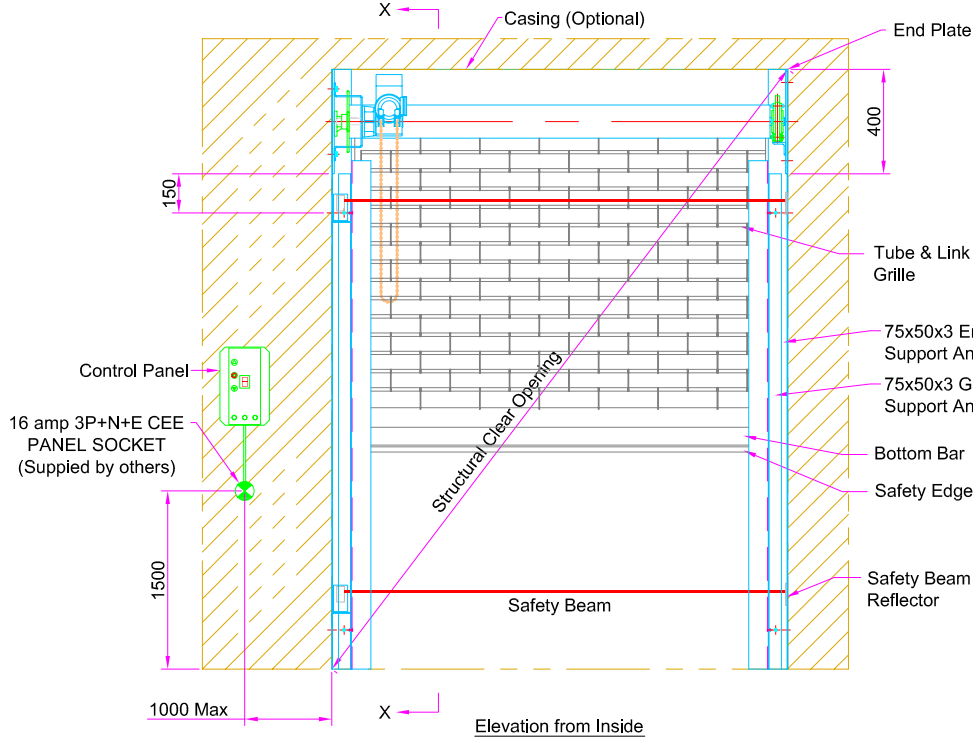
B

C

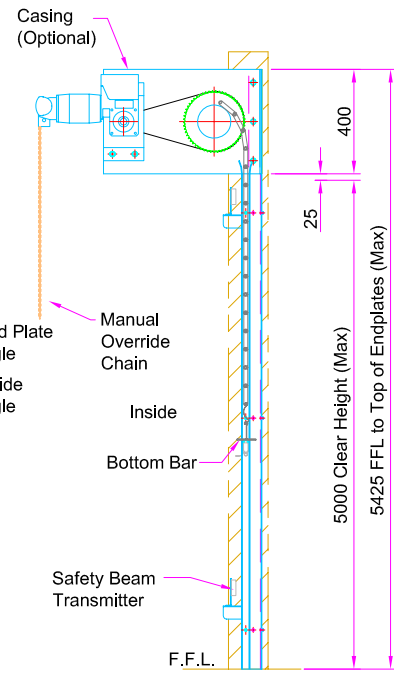
D

E

F



Elevation from Inside



View on 'X-X'

This drawing is supplied as a General Layout showing relative positions of main components and Guardian Industrial Doors Ltd accepts no responsibility for accuracy until a Site Survey has been undertaken.
If the End Plates and Barrel are within a False Ceiling or Soffit a Full Width Access Panel Is required. (by others)

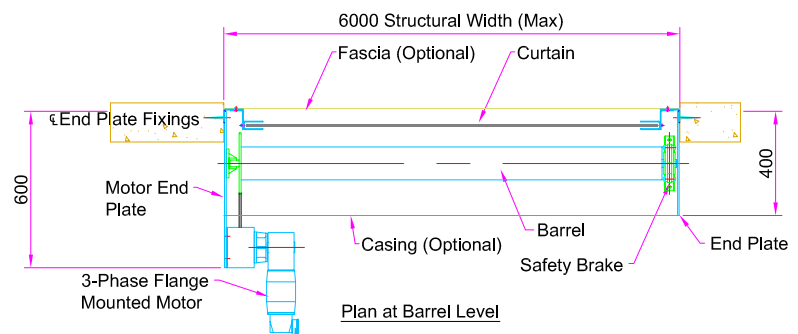
Fixing To:-	
Steel	M8/M10 Set Screws
Brick	M8/M10 Rawbolts/Sleeve Anchors
Blockwork	M8/M10 Rawbolts/Sleeve Anchors
Timber	M8/M10 Coach Screws
Concrete	M8/M10 Rawbolts

The Client is responsible for making sure that the structure is capable of withstanding the weight of the shutter and suitable fixing points are available for the End Plate and Guide support channel.

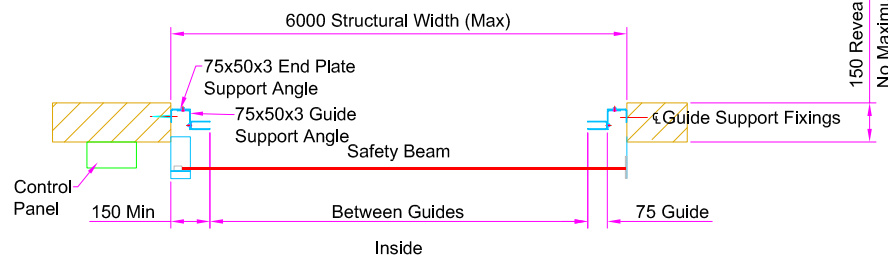
The chart below shows the weight for a shutter with a maximum structural clear opening of 6000mmW x 5425mm H

	Weights (kg)
Barrel	80
Curtain	261
End Plates	23
Guides	47
Angles/Channels	36
Motor/HCG	35
Safety Brake	10
	492

150mm Reveal Depth (min)
No Maximum



Plan at Barrel Level



Plan at Guide Level

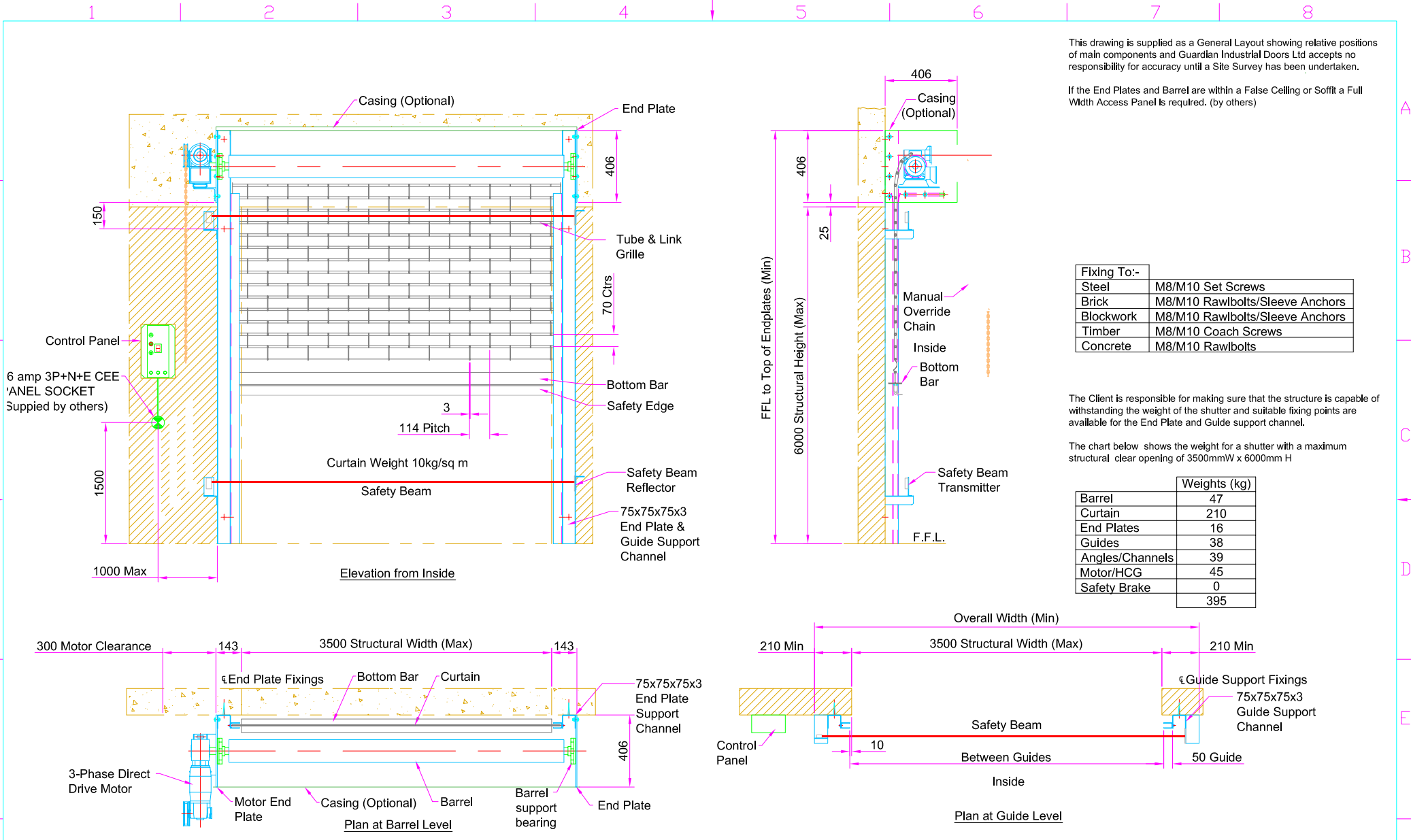
GUARDIAN
DOOR SOLUTIONS FOR ALL REQUIREMENTS

45 Progress Rd.
Leigh on Sea, SS9 5PR
Tel: +44(0)1702 512424
Fax: +44(0)1702 260117
www.guardiandoors.com

UNLESS OTHERWISE INDICATED
ALL DIMENSIONS IN MILLIMETERS
AND ALL TOLERANCES ±1.0

DRAWN	CHK'D	APP'D	DATE	SCALE	Drwg No:	CP-RG TP-4-LH	ISSUE	DATE	APP'D
MB				NTS	Guardian maintains a policy of progressive design and we reserve the right to modify specifications without prior notice or alteration to this drawing				
TITLE CAR PARK ROLLING GRILLE 3-ph FLANGE MOUNTED MOTOR REVEAL FIX. 6000mm W x 5425mm H Max.							1	04/07	PN

1 2 3 4 5 6 7 8



This drawing is supplied as a General Layout showing relative positions of main components and Guardian Industrial Doors Ltd accepts no responsibility for accuracy until a Site Survey has been undertaken.

If the End Plates and Barrel are within a False Ceiling or Soffit a Full Width Access Panel Is required. (by others)

The Client is responsible for making sure that the structure is capable of withstanding the weight of the shutter and suitable fixing points are available for the End Plate and Guide support channel.

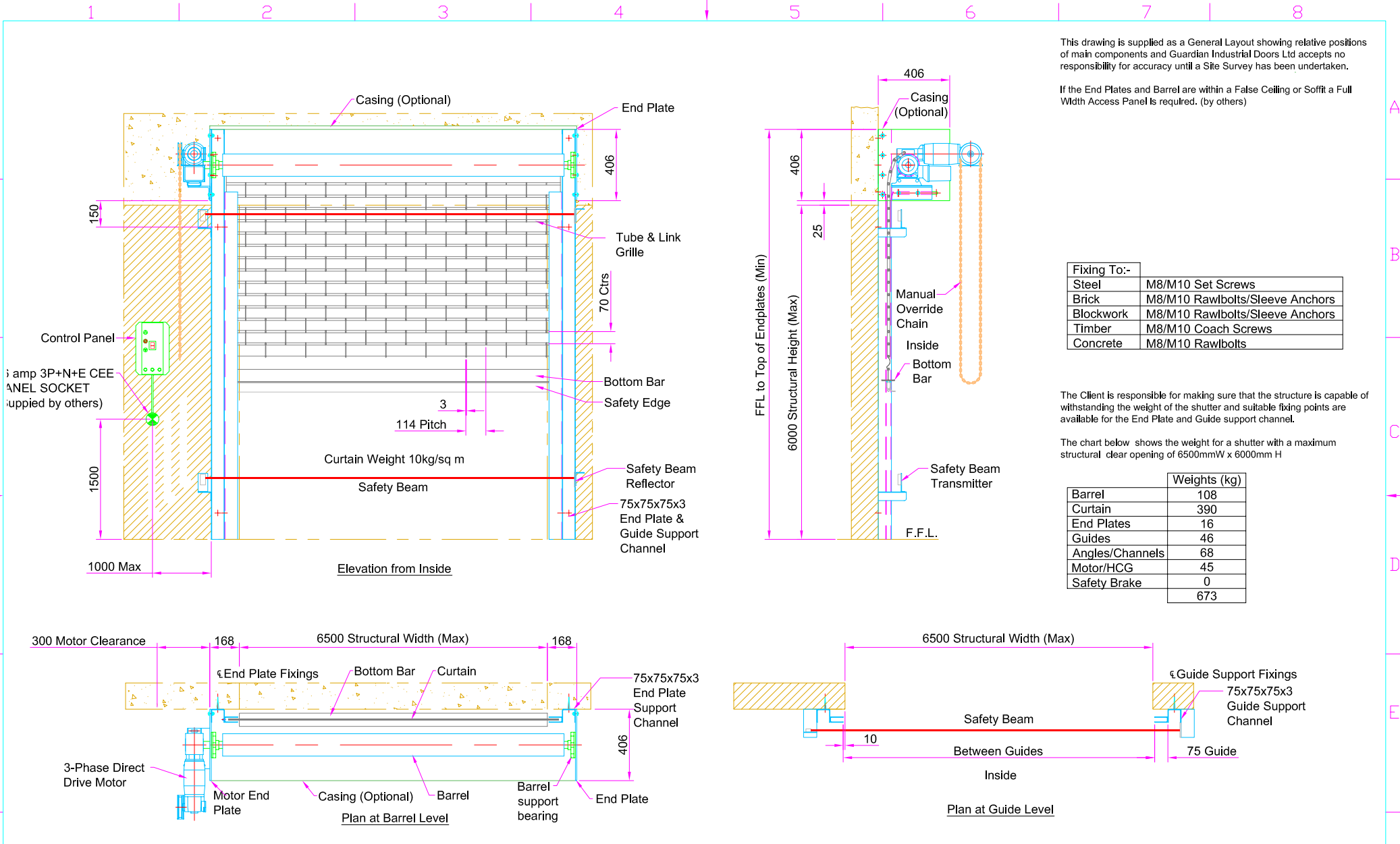
The chart below shows the weight for a shutter with a maximum structural clear opening of 3500mmW x 6000mm H

GUARDIAN
DOOR SOLUTIONS FOR ALL REQUIREMENTS

45 Progress Rd.
Leigh on Sea, SS9 5PR
Tel: +44(0)1702 512424
Fax: +44(0)1702 260117
www.guardiandoors.com

UNLESS OTHERWISE INDICATED
ALL DIMENSIONS IN MILLIMETERS
AND ALL TOLERANCES ±1.0

DRAWN	CHK'D	APP'D	DATE	SCALE	Drwg No: CP-RG DD-1-LH	ISSUE	DATE	APP'D
MB				NTS	Guardian maintains a policy of progressive design and we reserve the right to modify specifications without prior notice or alteration to this drawing			
TITLE								
CAR PARK ROLLING GRILLE 3-ph DIRECT DRIVE FACE FIX. 3500mm W x 6000mm H Max.								
						1	04/07	PN



This drawing is supplied as a General Layout showing relative positions of main components and Guardian Industrial Doors Ltd accepts no responsibility for accuracy until a Site Survey has been undertaken.

If the End Plates and Barrel are within a False Ceiling or Soffit a Full Width Access Panel Is required. (by others)

Fixing To:-	
Steel	M8/M10 Set Screws
Brick	M8/M10 Rawbolts/Sleeve Anchors
Blockwork	M8/M10 Rawbolts/Sleeve Anchors
Timber	M8/M10 Coach Screws
Concrete	M8/M10 Rawbolts

The Client is responsible for making sure that the structure is capable of withstanding the weight of the shutter and suitable fixing points are available for the End Plate and Guide support channel.

The chart below shows the weight for a shutter with a maximum structural clear opening of 6500mmW x 6000mm H

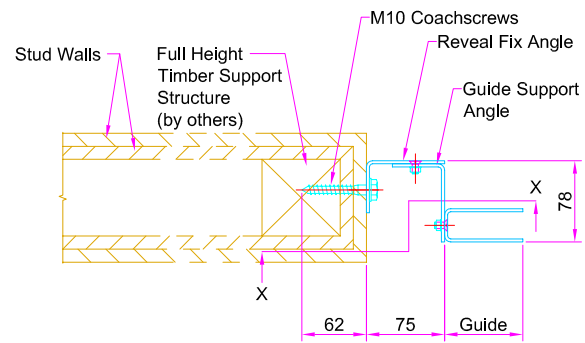
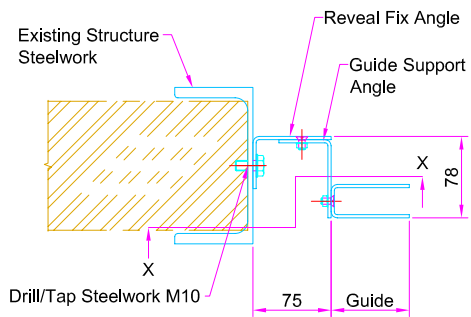
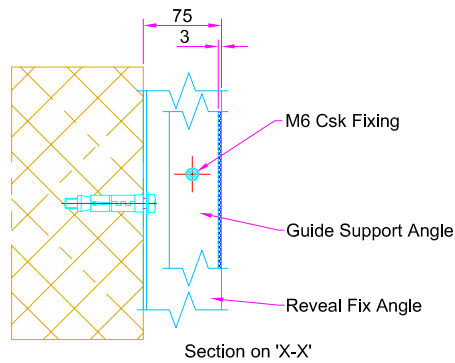
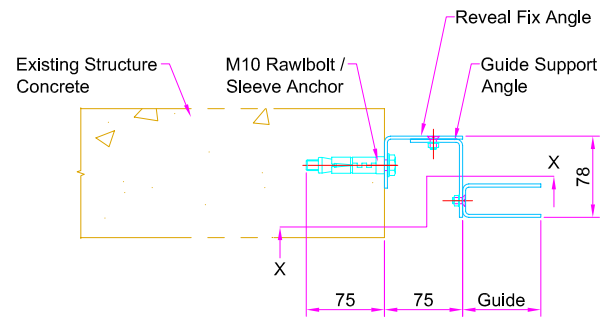
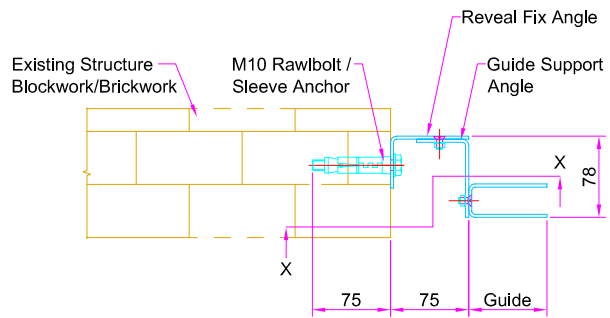
	Weights (kg)
Barrel	108
Curtain	390
End Plates	16
Guides	46
Angles/Channels	68
Motor/HCG	45
Safety Brake	0
Total	673

GUARDIAN
DOOR SOLUTIONS FOR ALL REQUIREMENTS

45 Progress Rd.
Leigh on Sea, SS9 5PR
Tel: +44(0)1702 512424
Fax: +44(0)1702 260117
www.guardiandoors.com

UNLESS OTHERWISE INDICATED
ALL DIMENSIONS IN MILLIMETERS
AND ALL TOLERANCES ±1.0

DRAWN	CHK'D	APP'D	DATE	SCALE	Drwg No:	CP-RG DD-2-LH	ISSUE	DATE	APP'D
MB				NTS	Guardian maintains a policy of progressive design and we reserve the right to modify specifications without prior notice or alteration to this drawing				
TITLE					CAR PARK ROLLING GRILLE 3-ph DIRECT DRIVE FACE FIX. 6500mm W x 6000mm H Max.		1	04/07	PN



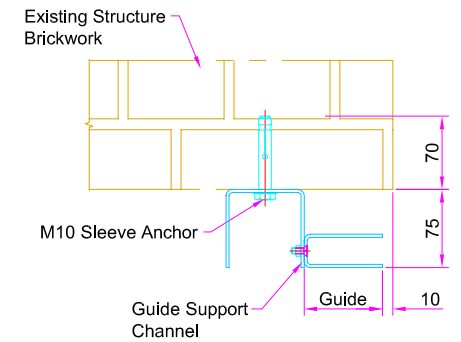
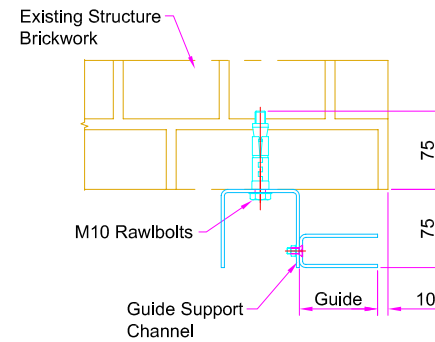
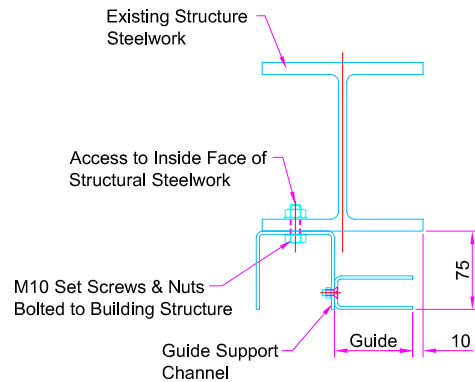
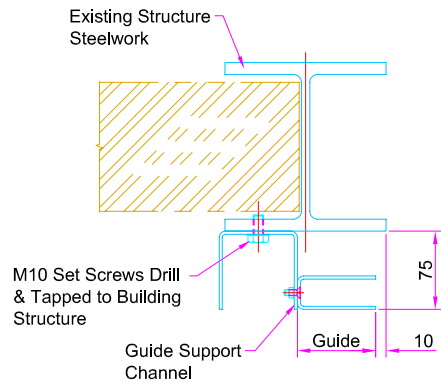
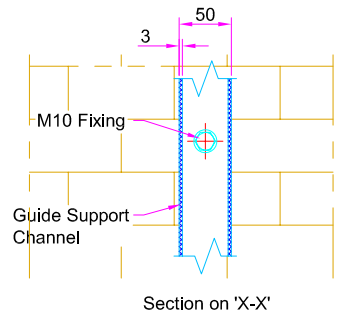
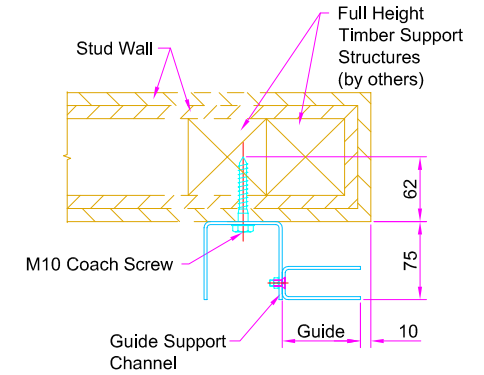
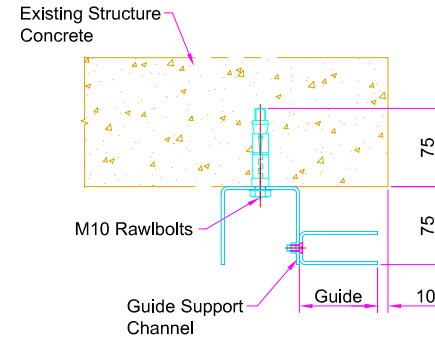
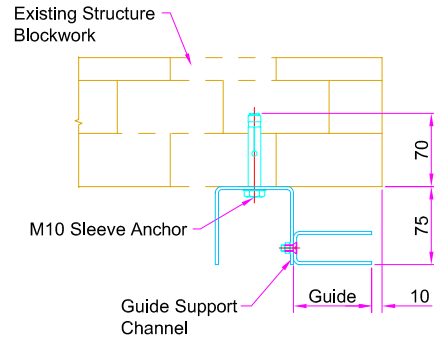
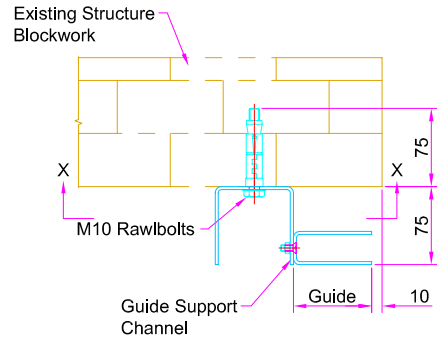
GUARDIAN

DOOR SOLUTIONS FOR ALL REQUIREMENTS

45 Progress Rd.
Leigh on Sea, SS9 5PR
Tel: +44(0)1702 512424
Fax: +44(0)1702 260117
www.guardiandoors.com

UNLESS OTHERWISE INDICATED
ALL DIMENSIONS IN MILLIMETERS
AND ALL TOLERANCES ±1.0

DRAWN	CHK'D	APP'D	DATE	SCALE	Drwg No:	ISSUE	DATE	APP'D
MB			01/12/08	1:5@A3	109x RF Fixings			
TITLE					Guardian maintains a policy of progressive design and we reserve the right to modify specifications without prior notice or alteration to this drawing			
Vertical Fixing Details for Reveal Fix Shutters								

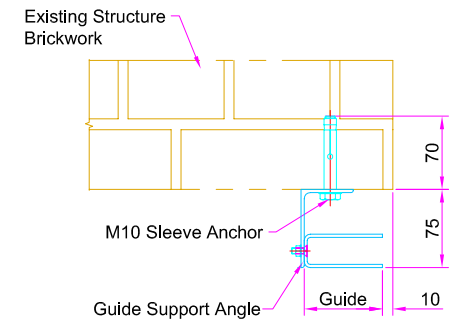
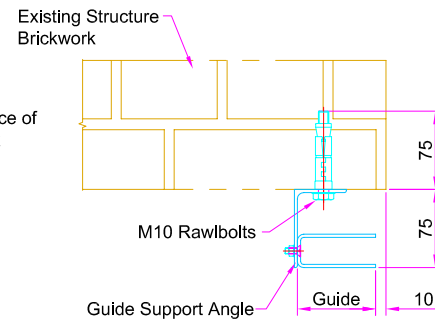
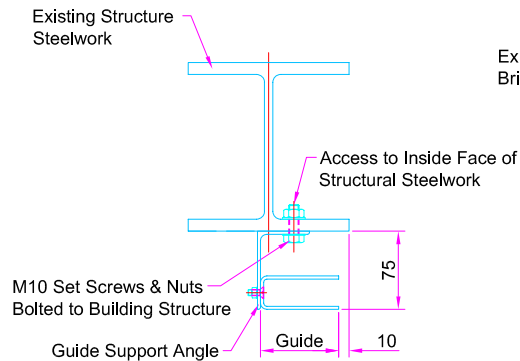
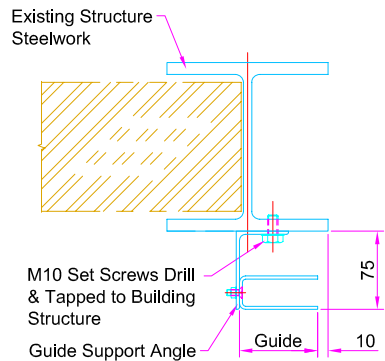
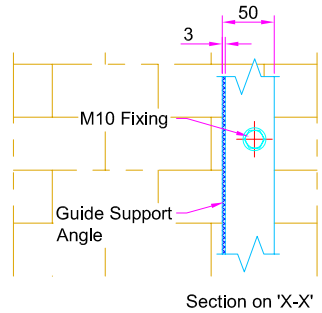
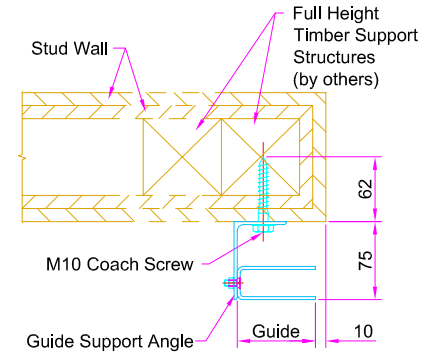
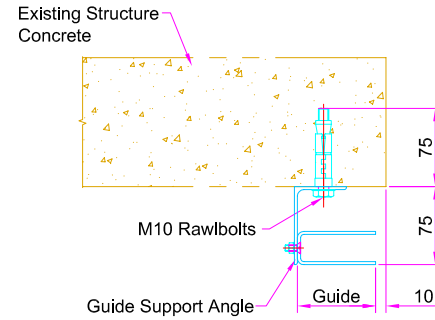
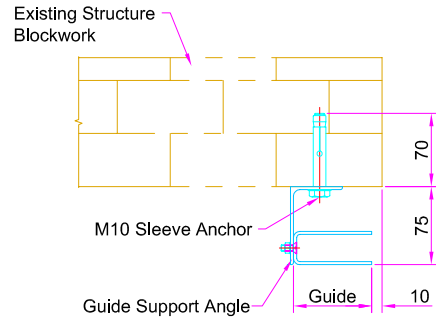
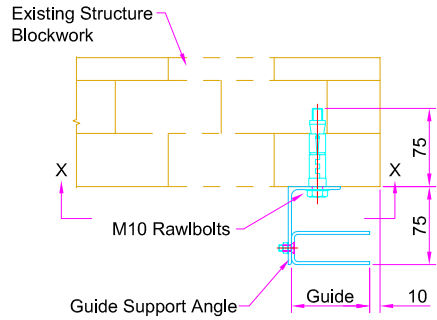


GUARDIAN
DOOR SOLUTIONS FOR ALL REQUIREMENTS

45 Progress Rd.
Leigh on Sea, SS9 5PR
Tel: +44(0)1702 512424
Fax: +44(0)1702 260117
www.guardiandoors.com

UNLESS OTHERWISE INDICATED
ALL DIMENSIONS IN MILLIMETERS
AND ALL TOLERANCES ±1.0

DRAWN	CHK'D	APP'D	DATE	SCALE	Drwg No:	ISSUE	DATE	APP'D
MB			01/12/08	1:5@A3	109x FF Fixings			
TITLE					Guardian maintains a policy of progressive design and we reserve the right to modify specifications without prior notice or alteration to this drawing			
Vertical Fixing Details for Face Fix Shutters on Channels								



GUARDIAN

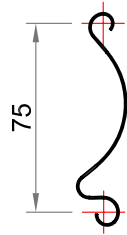
DOOR SOLUTIONS FOR ALL REQUIREMENTS

45 Progress Rd.
Leigh on Sea, SS9 5PR
Tel: +44(0)1702 512424
Fax: +44(0)1702 260117
www.guardiandoors.com

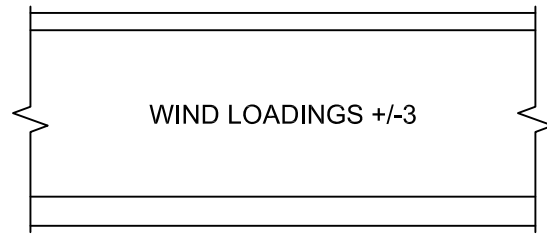
UNLESS OTHERWISE INDICATED
ALL DIMENSIONS IN MILLIMETERS
AND ALL TOLERANCES ±1.0

DRAWN	CHK'D	APP'D	DATE	SCALE	Drwg No:	ISSUE	DATE	APP'D
MB			01/12/08	1:5@A3	109x FF Fixings			
TITLE					Guardian maintains a policy of progressive design and we reserve the right to modify specifications without prior notice or alteration to this drawing			
Vertical Fixing Details for Face Fix Shutters on Angles								

CURTAIN WEIGHTS
 75mm x 20g = 10kg/M²
 75mm x 22g = 12kg/M²
 75mm x 18g = 16.50kg/M²

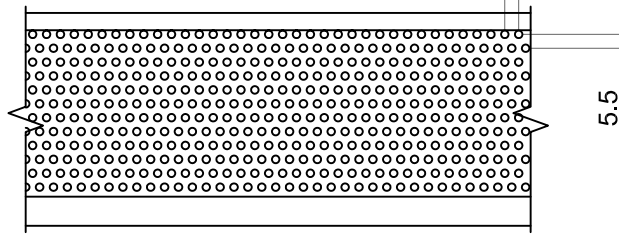


75mm SOLID STEEL CURVED LATH



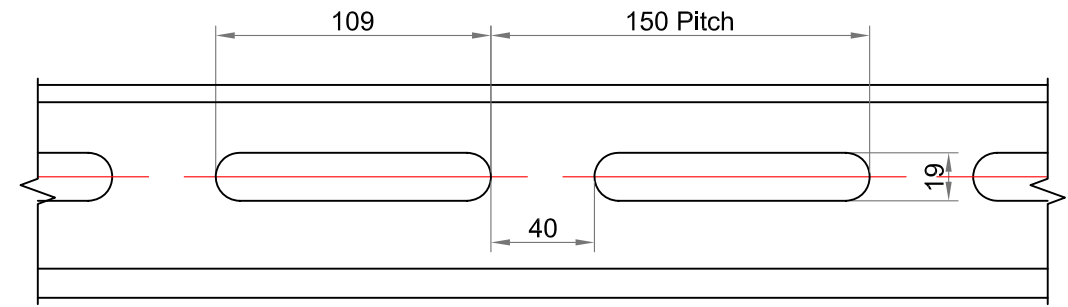
Air Flow 0%

75mm PERFORATED STEEL CURVED LATH Ø3mm Holes



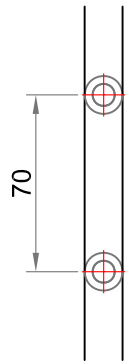
Air Flow 14.6%

75mm PUNCHED STEEL CURVED LATH 109 lg Slots

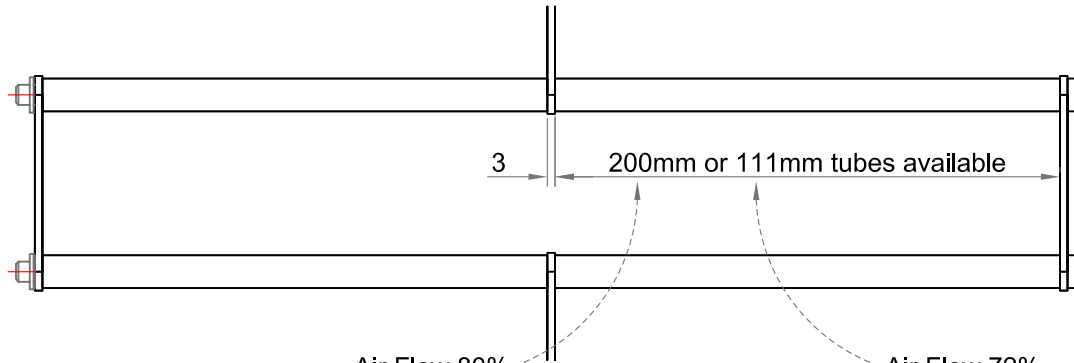


Air Flow 18.15%

CURTAIN WEIGHTS
 Tube & Link = 13kg/M²



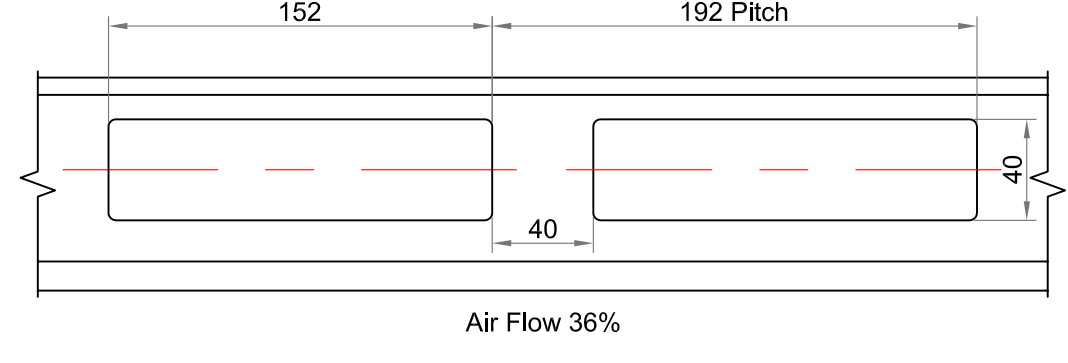
TUBE & LINK GRILLE
 (available in Brick Bond or Inline Pattern)



Air Flow 80%

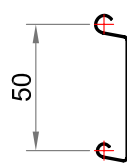
Air Flow 72%

75mm PUNCHED STEEL CURVED LATH 152 lg Slots

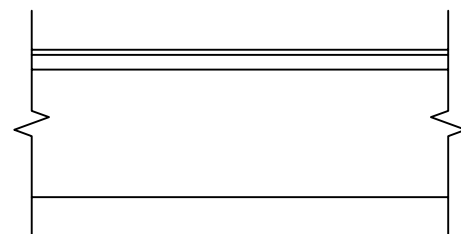


Air Flow 36%

CURTAIN WEIGHTS
 50mm x 22g = 8kg/M²

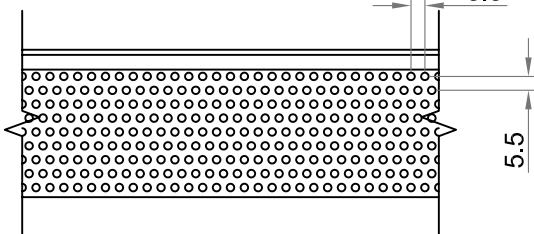


50mm STEEL FLAT LATH Ø3mm Holes



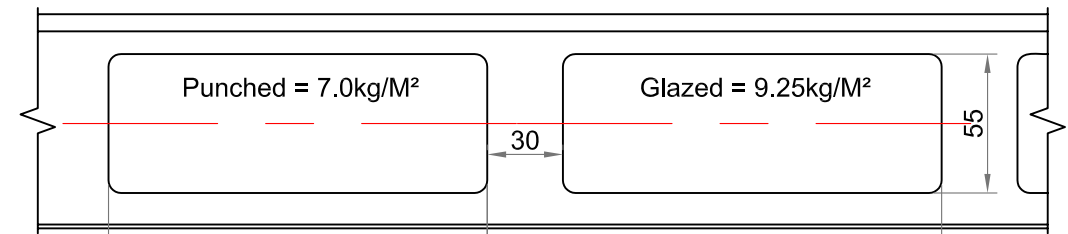
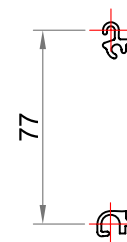
Air Flow 0%

50mm PERFORATED STEEL FLAT LATH Ø3mm Holes



Air Flow 14.6%

77mm EXTRUDED AND PUNCHED ALUMINIUM LATH (also available as a Solid Lath)



Punched = 7.0kg/M²

Glazed = 9.25kg/M²

(available Punched or Glazed)

Air Flow 75%

NOTE:- 50mm Flat Laths are only available on 3m² Max openings

GUARDIAN
 DOOR SOLUTIONS FOR ALL REQUIREMENTS

45 Progress Rd.
 Leigh on Sea, SS9 5PR
 Tel: +44(0)1702 512424
 Fax: +44(0)1702 260117
 www.guardiandoors.com

UNLESS OTHERWISE INDICATED
 ALL DIMENSIONS IN MILLIMETERS
 AND ALL TOLERANCES ±1.0

DRAWN

CHK'D

APP'D

DATE

SCALE

Drwg No: Curtain Options 01

ISSUE

DATE

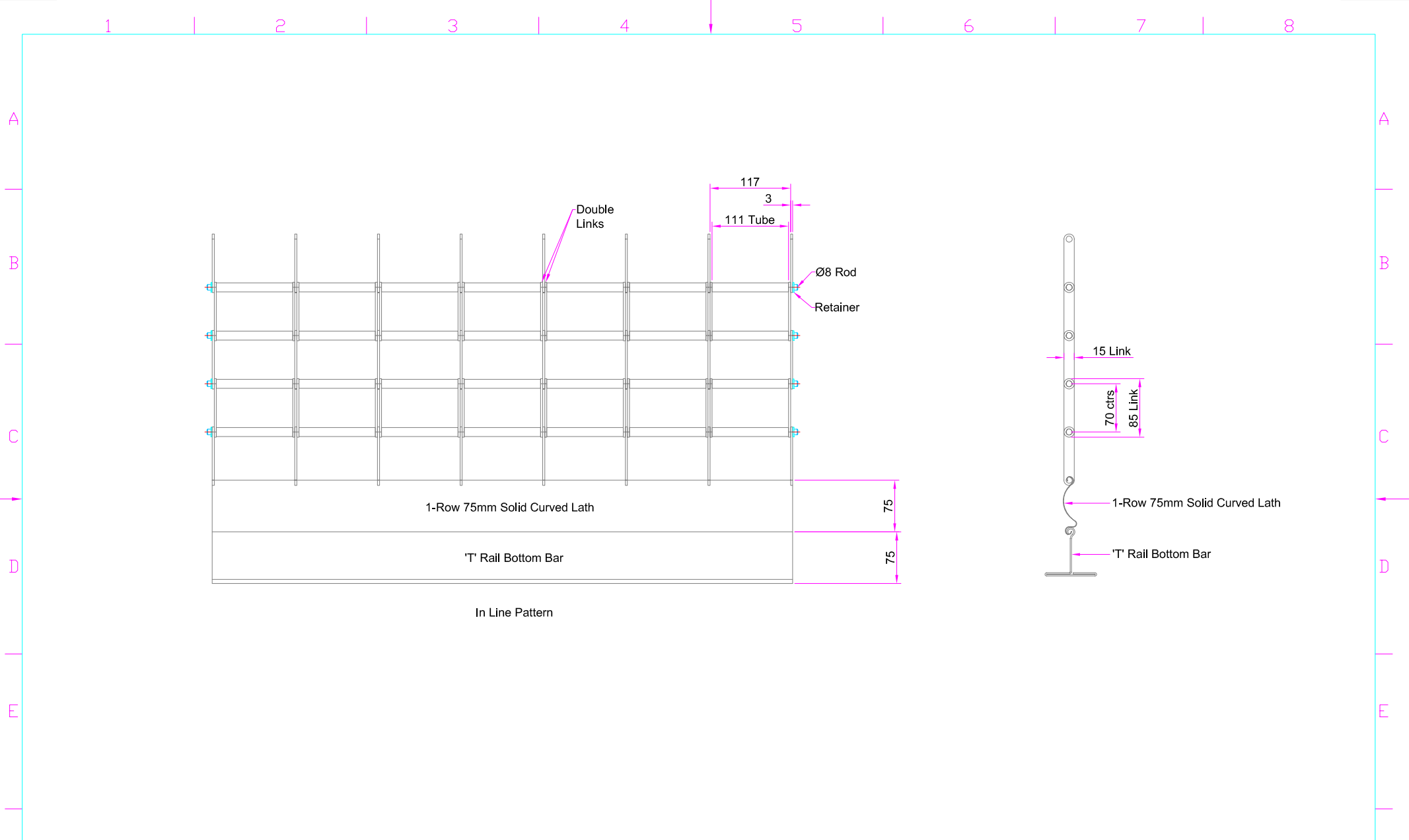
APP'D

CH

TITLE

CURTAIN OPTIONS

Guardian maintains a policy of progressive design and we reserve the right to modify specifications without prior notice or alteration to this drawing

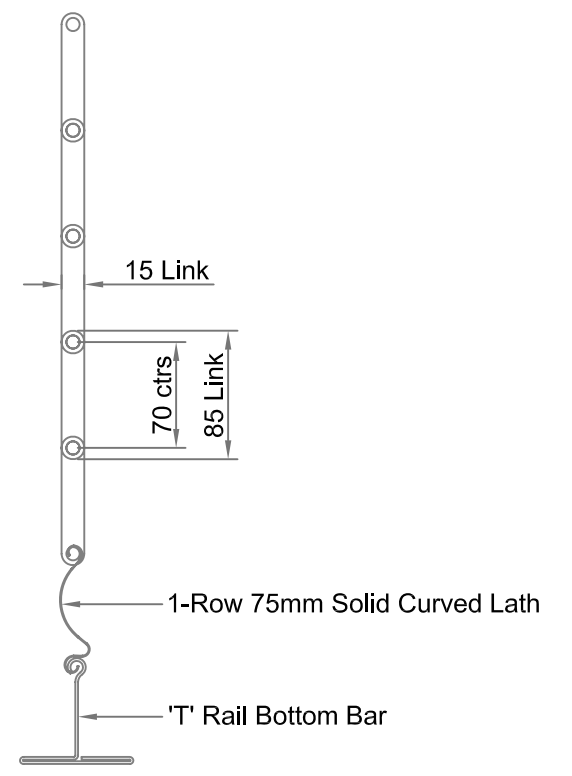
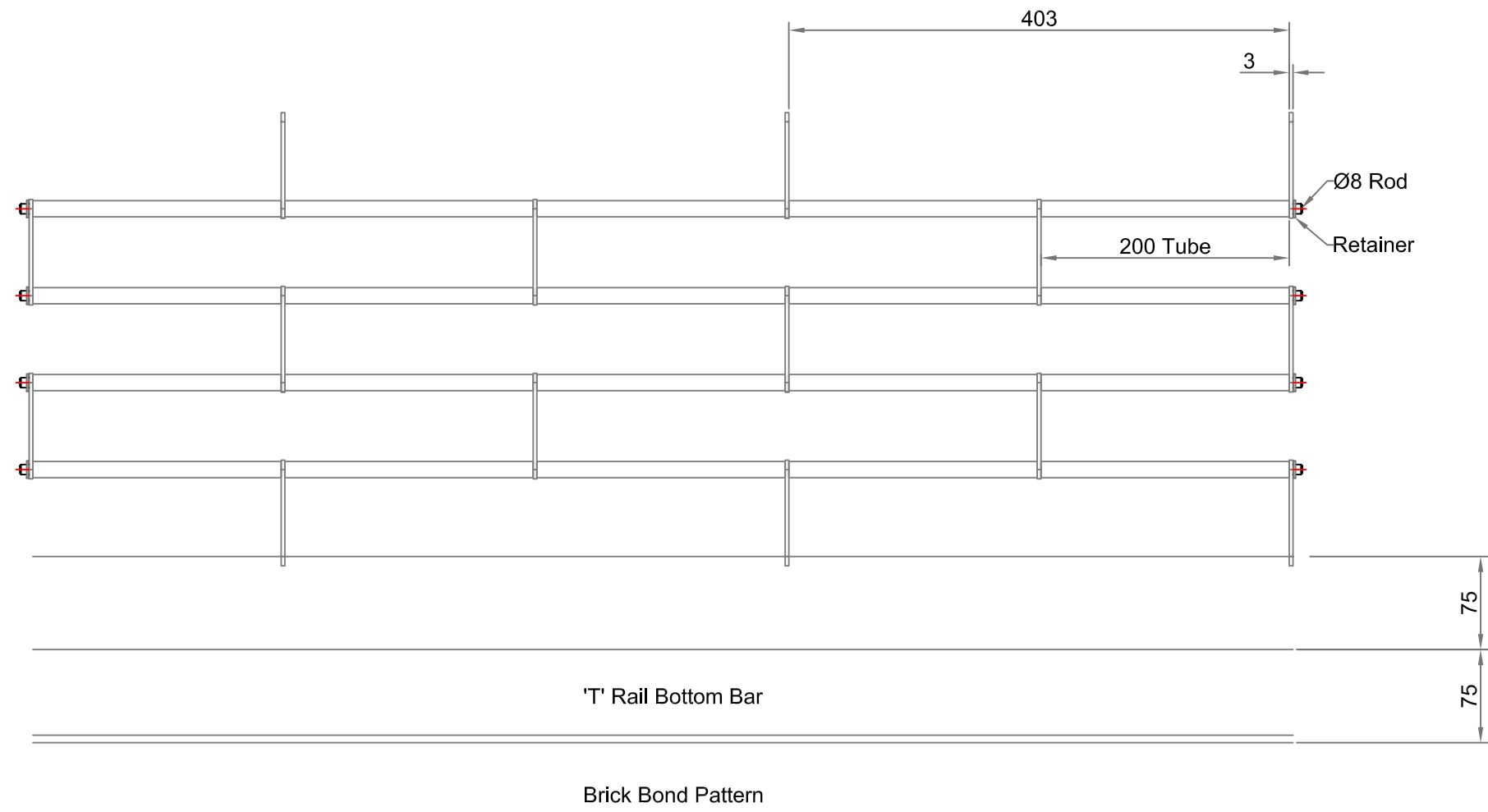


GUARDIAN
DOOR SOLUTIONS FOR ALL REQUIREMENTS

45 Progress Rd.
Leigh on Sea, SS9 5PR
Tel: +44(0)1702 512424
Fax: +44(0)1702 260117
www.guardiandoors.com

UNLESS OTHERWISE INDICATED
ALL DIMENSIONS IN MILLIMETERS
AND ALL TOLERANCES ±1.0

DRAWN	CHK'D	APP'D	DATE	SCALE	Drwg No:	ISSUE	DATE	APP'D
MB			25/06/10	1:5@A3	1091- IL			
TITLE					Guardian maintains a policy of progressive design and we reserve the right to modify specifications without prior notice or alteration to this drawing			
Car Park-Rolling Grille In Line Pattern								



GUARDIAN

DOOR SOLUTIONS FOR ALL REQUIREMENTS

45 Progress Rd.
Leigh on Sea. SS9 5PR
Tel: +44(0)1702 512424
Fax: +44(0)1702 260117
www.guardiandoors.com

UNLESS OTHERWISE INDICATED
ALL DIMENSIONS IN MILLIMETERS
AND ALL TOLERANCES ±1.0

DRAWN

CHK'D

APP'D

DATE

SCALE

Drwg No: CR-75CS - 02

ISSUE

DATE

APP'D

CH

NTS

TITLE

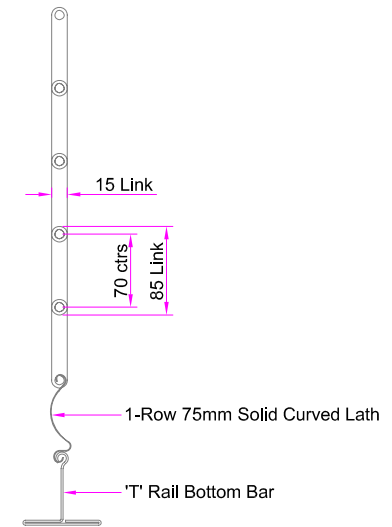
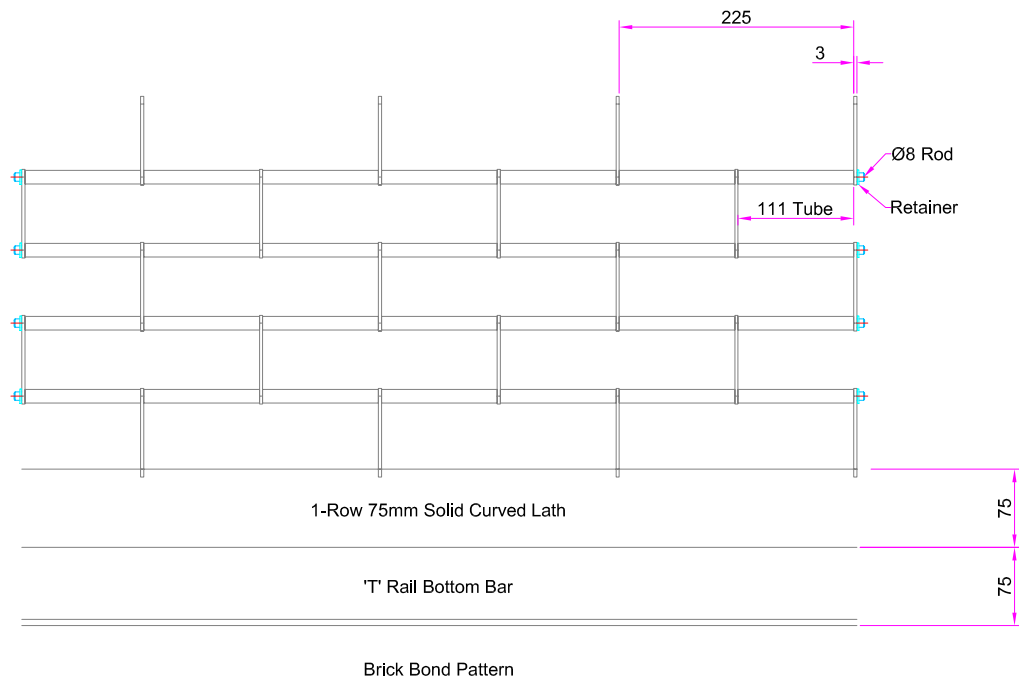
CR-75CS TUBE MOTOR FACE FIX.
TUBE AND LINK (200mm Tubes)

Guardian maintains a policy of progressive design and we reserve the right to modify specifications without prior notice or alteration to this drawing

1

04/07

PN



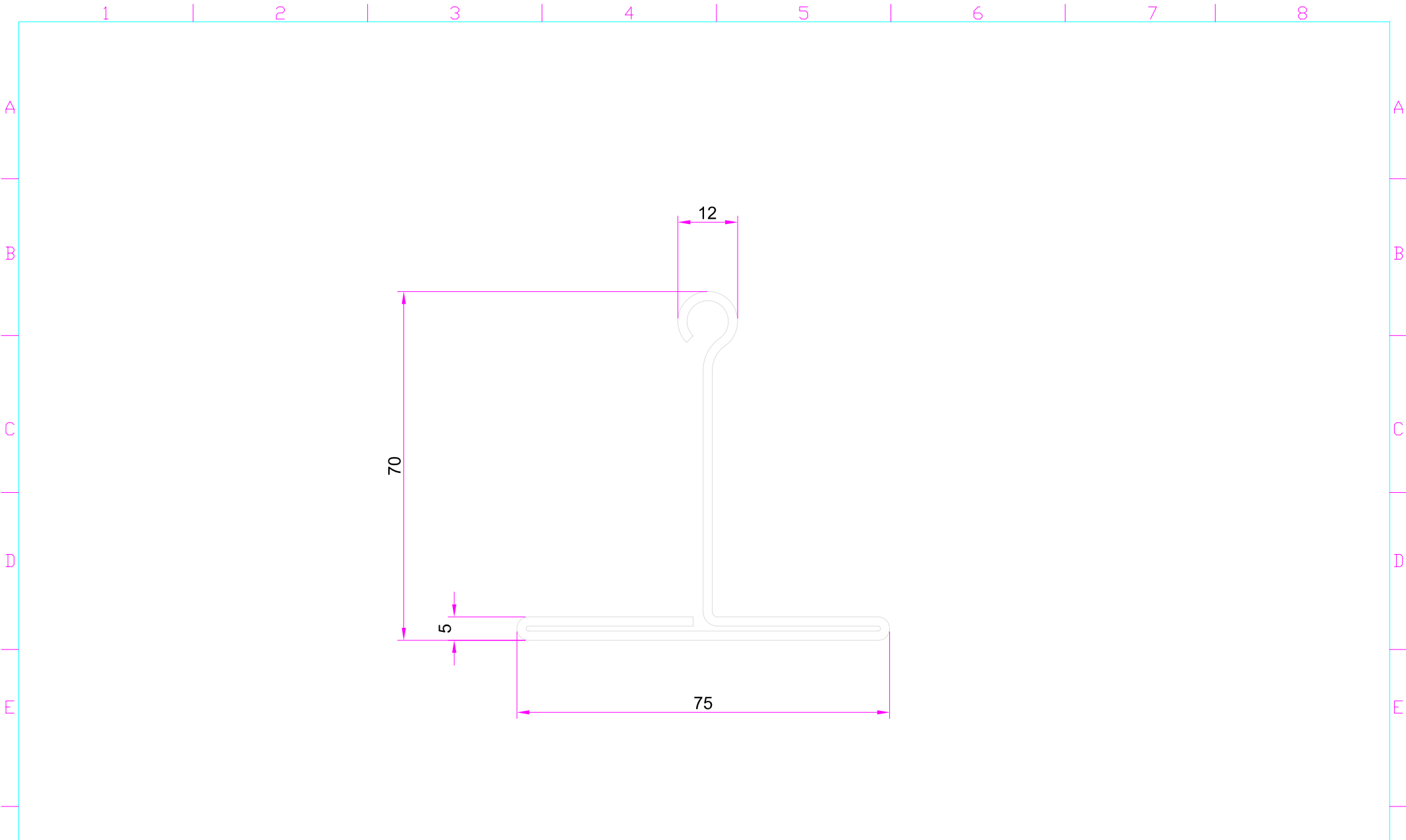
GUARDIAN

DOOR SOLUTIONS FOR ALL REQUIREMENTS

45 Progress Rd.
Leigh on Sea, SS9 5PR
Tel: +44(0)1702 512424
Fax: +44(0)1702 260117
www.guardiandoors.com

UNLESS OTHERWISE INDICATED
ALL DIMENSIONS IN MILLIMETERS
AND ALL TOLERANCES ± 1.0

DRAWN	CHK'D	APP'D	DATE	SCALE	Drwg No:	ISSUE	DATE	APP'D
MB			25/06/10	1:5@A3	1091- BB			
TITLE					Guardian maintains a policy of progressive design and we reserve the right to modify specifications without prior notice or alteration to this drawing			
Car Park-Rolling Grille Brick Bond Pattern								



GUARDIAN
DOOR SOLUTIONS FOR ALL REQUIREMENTS

45 Progress Rd.
Leigh on Sea, SS9 5PR
Tel: +44(0)1702 512424
Fax: +44(0)1702 260117
www.guardiandoors.com

UNLESS OTHERWISE INDICATED ALL DIMENSIONS IN MILLIMETERS AND ALL TOLERANCES ±1.0

DRAWN	CHK'D	APP'D	DATE	SCALE	Drwg No: 105x Bottom Bar	ISSUE	DATE	APP'D
MB			21/01/11	1:1	Guardian maintains a policy of progressive design and we reserve the right to modify specifications without prior notice or alteration to this drawing			
TITLE								
75mm Curved Lath Bottom Bar Detail								
FINISH						1	21/01/11	RE