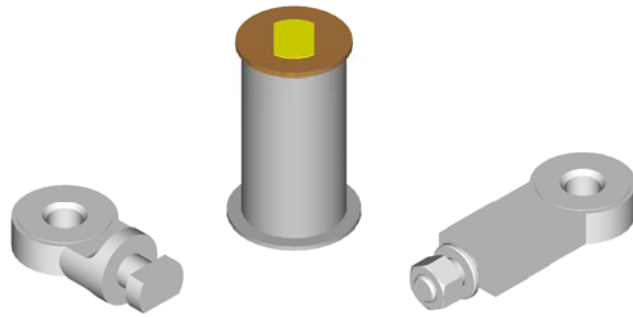


# GROUND LOCK SYSTEM

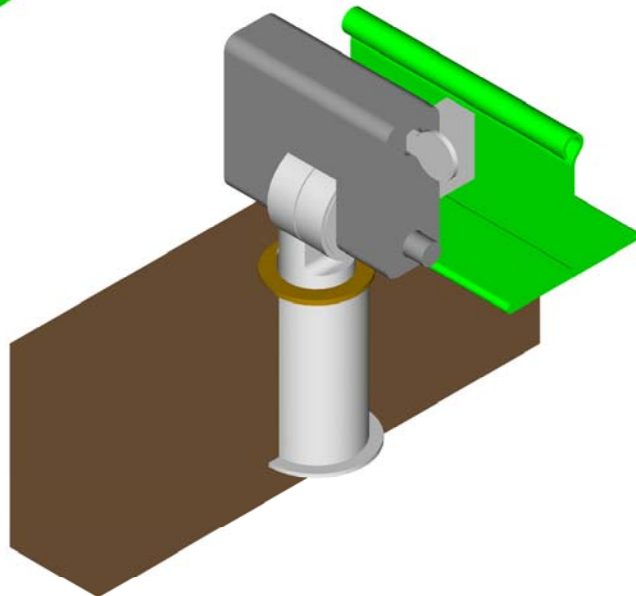
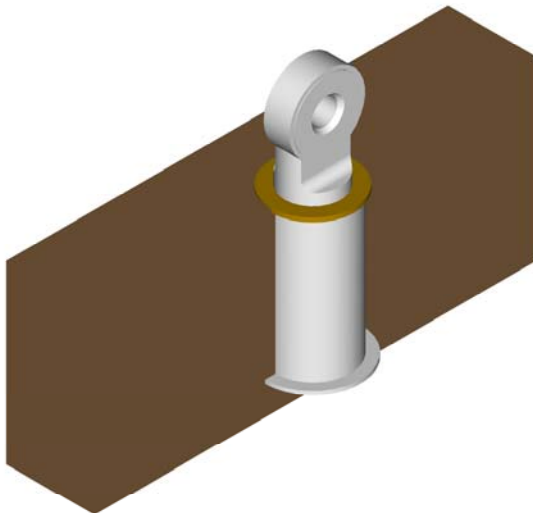
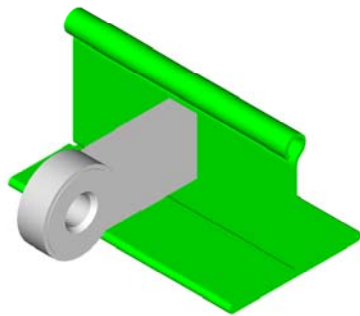
The system consists of a ground socket and two forged eyebolts. The ground socket has a spring loaded dust cap and the removable eyebolt "twist" locks into the socket. Once in position the shutter is lowered and the second eyebolt which is fixed to the bottom rail of the shutter sits alongside the ground eyebolt. Both are locked into position with the padlock.

For shutters over three metres wide we recommend that two locks are fitted.

This system is designed for external use only.



3 part ground lock



90mm anvil type brass padlock fully sheathed in hardened steel. Available in keyed-alike groups for multiple installations. 6 pin anti-drill cylinder complete with 3 keys

**GUARDIAN**  
DOOR SOLUTIONS FOR ALL REQUIREMENTS

45 Progress Rd.  
Leigh on Sea, SS9 5PR  
Tel: +44(0)1702 512424  
Fax: +44(0)1702 260117  
www.guardiandoors.com

Title:

GROUND LOCK SYSTEM

MATERIAL

FINISH

DRAWN MB

DATE 18/04/06

SCALE NTS

Drawing Ref:

GL01

ISSUE