

1 2 3 4 5 6 7 8

A

B

C

D

E

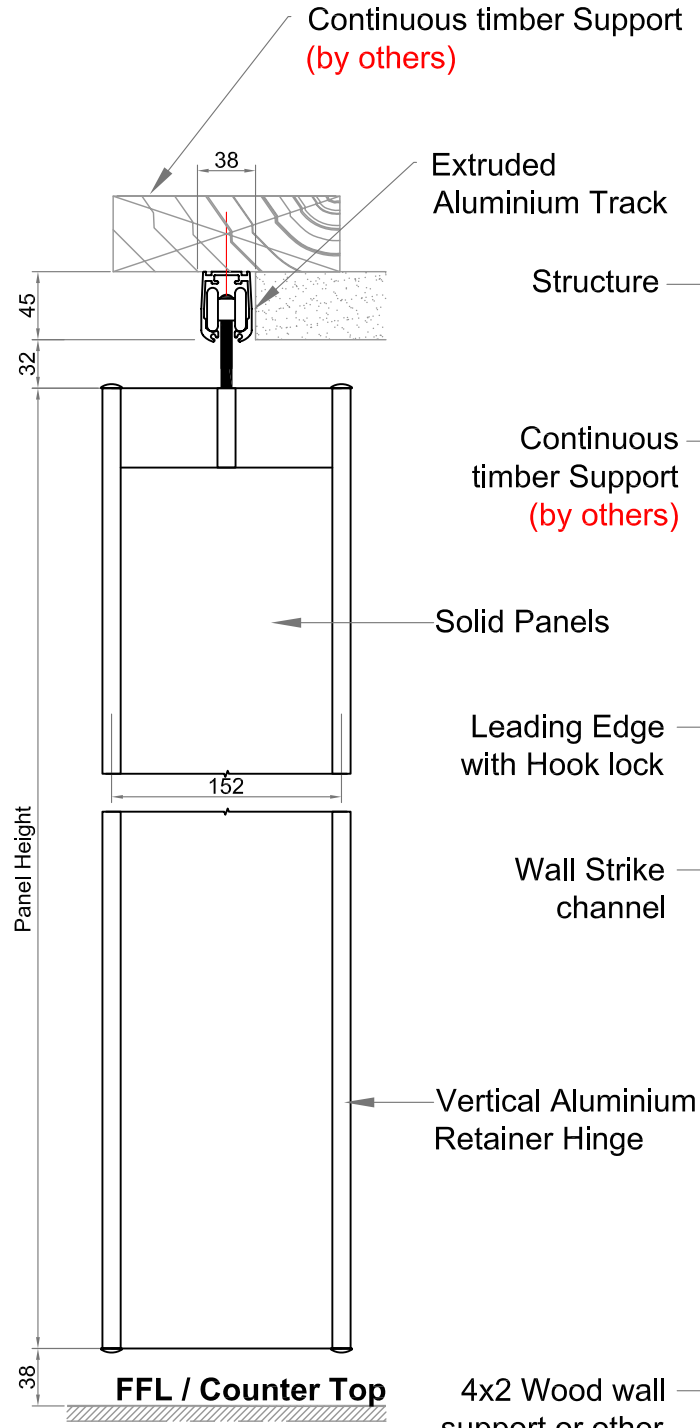
A

B

C

D

E

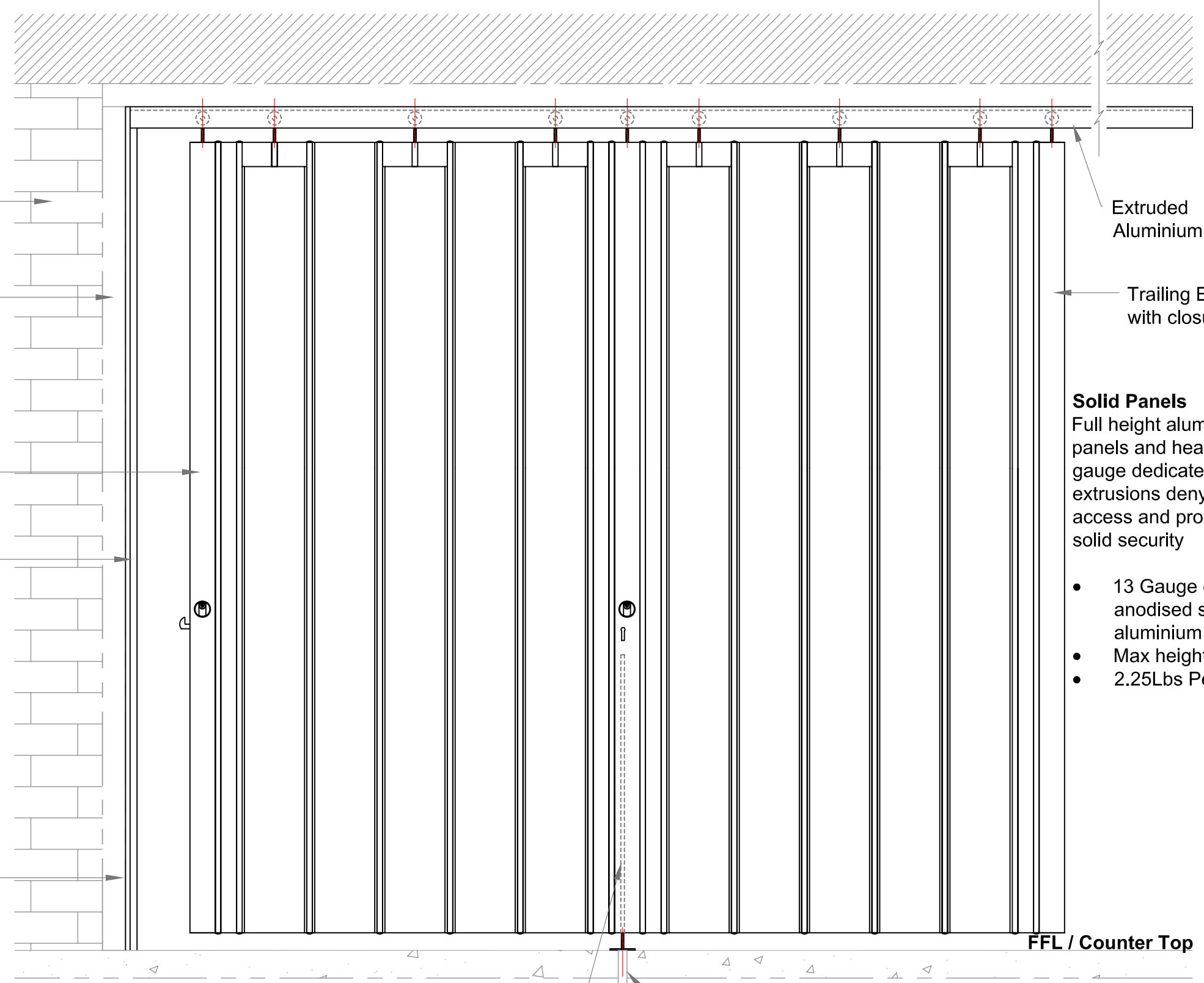


END ELEVATION 1:5

ESC-31 VistaPane Solid

4x2 Wood wall support or other supporting member, with drywall or other surface cover. (By others)

FRONT ELEVATION 1:10



**Solid Panels**  
Full height aluminium panels and heavy gauge dedicated extrusions deny visual access and provide solid security

- 13 Gauge clear anodised solid aluminium panels
- Max height 7m
- 2.25Lbs Per Sq. Ft.



**GUARDIAN**  
SLIDING GRILLES

Tel: +44(0)1702 512424  
Fax: +44(0)1702 260117  
www.slidingfoldinggrilles.co.uk

UNLESS OTHERWISE INDICATED ALL DIMENSIONS IN MILLIMETERS

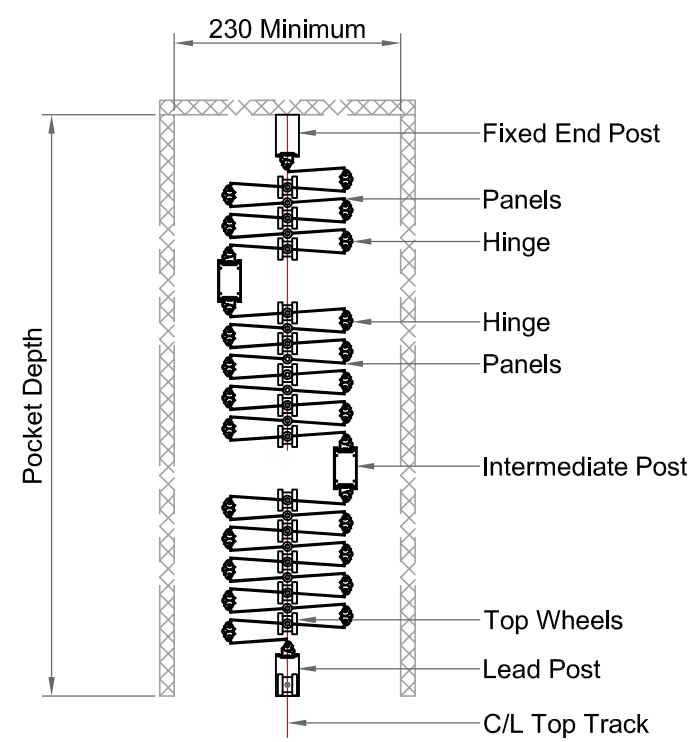
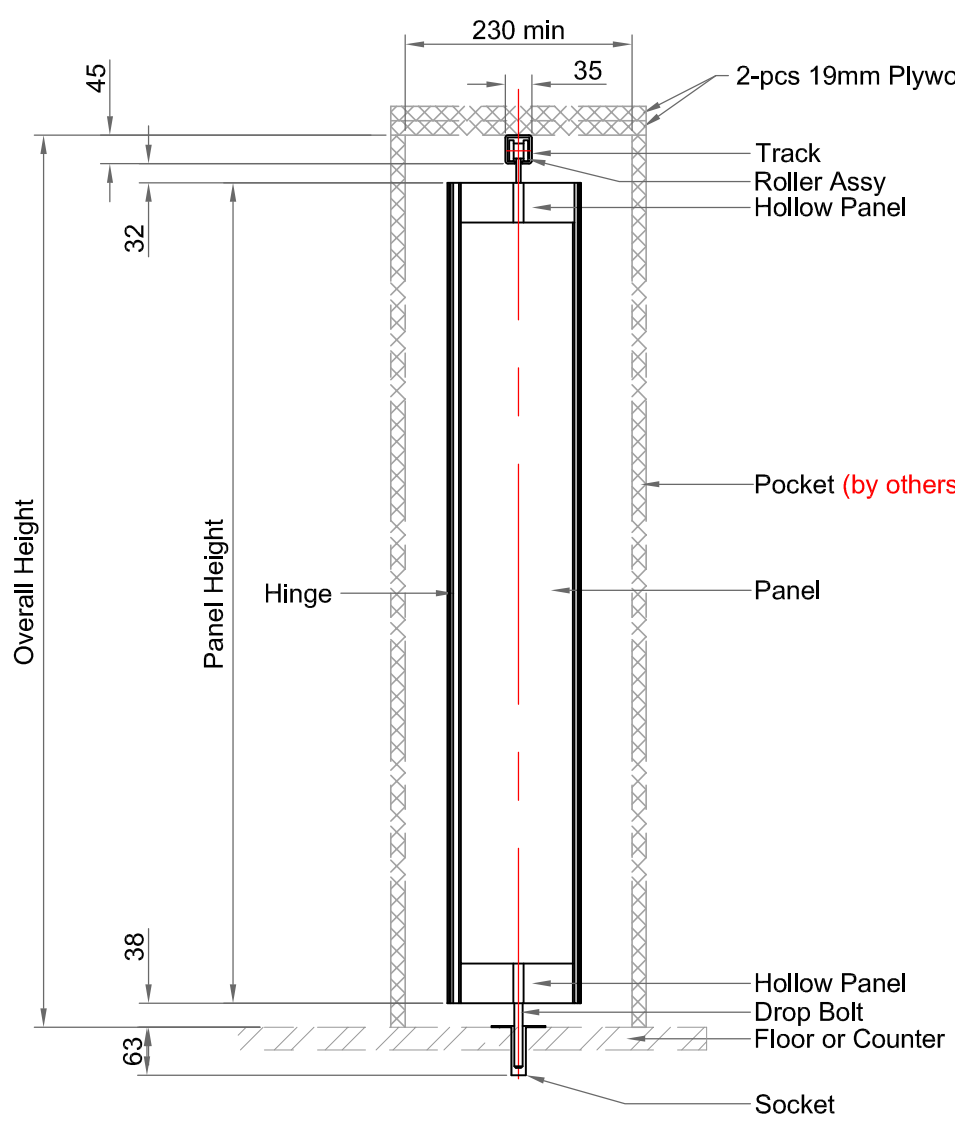
DRAWN	CHK'D	APP'D	DATE	SCALE
CH				

TITLE **BARRIER Wave Solid Panels Elevation Sliding Grilles**

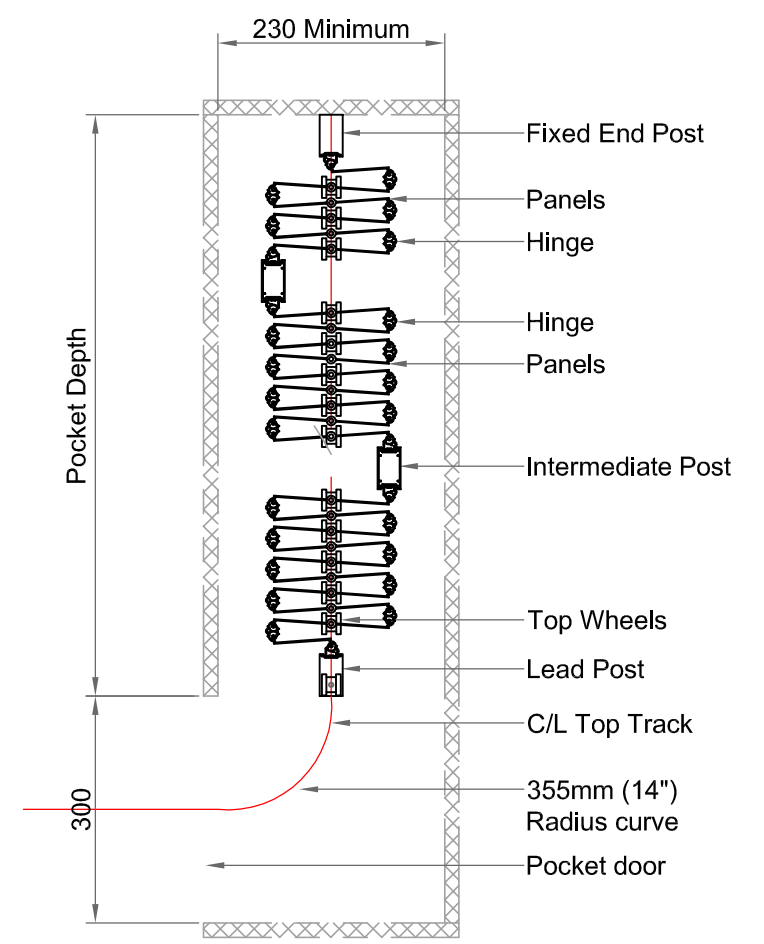
Job No:  
Guardian maintains a policy of progressive design and we reserve the right to modify specifications without prior notice or alteration to this drawing

ISSUE	DATE	APP'D

1 2 3 4 5 6 7 8



**Minimum Stacking**  
 1.05" per Foot of opening + 3.5" per post, or  
 Approximately 2" per Foot of opening



**Design Construction Details**

- Minimal headroom required - 38mm wide x 46mm high track mounts to overhead structure to support unit.
- No floor track is required.
- Maximum recommended width of a single unit section is 30' 0" (before using a bi-parting unit).
- Maximum intermediate member spacing is 13' for full height units, 7' for countertop units.
- Operation is manual push / pull only.
- Minimum height for all units is 2' 0", Minimum width for all units is 4' 0".
- The grille support should be design to carry the weight of a fully stacked door at any point along its length

**Optional Finishes**

- For standard clear anodised components:**
- **Color Anodized: medium bronze, dark bronze or champagne**
  - **Custom wet paint**

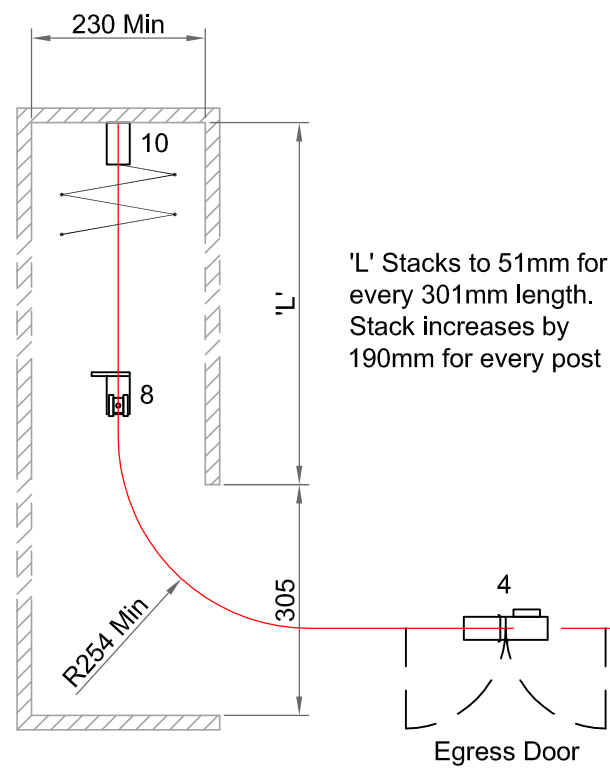


UNLESS OTHERWISE INDICATED  
 ALL DIMENSIONS IN MILLIMETERS

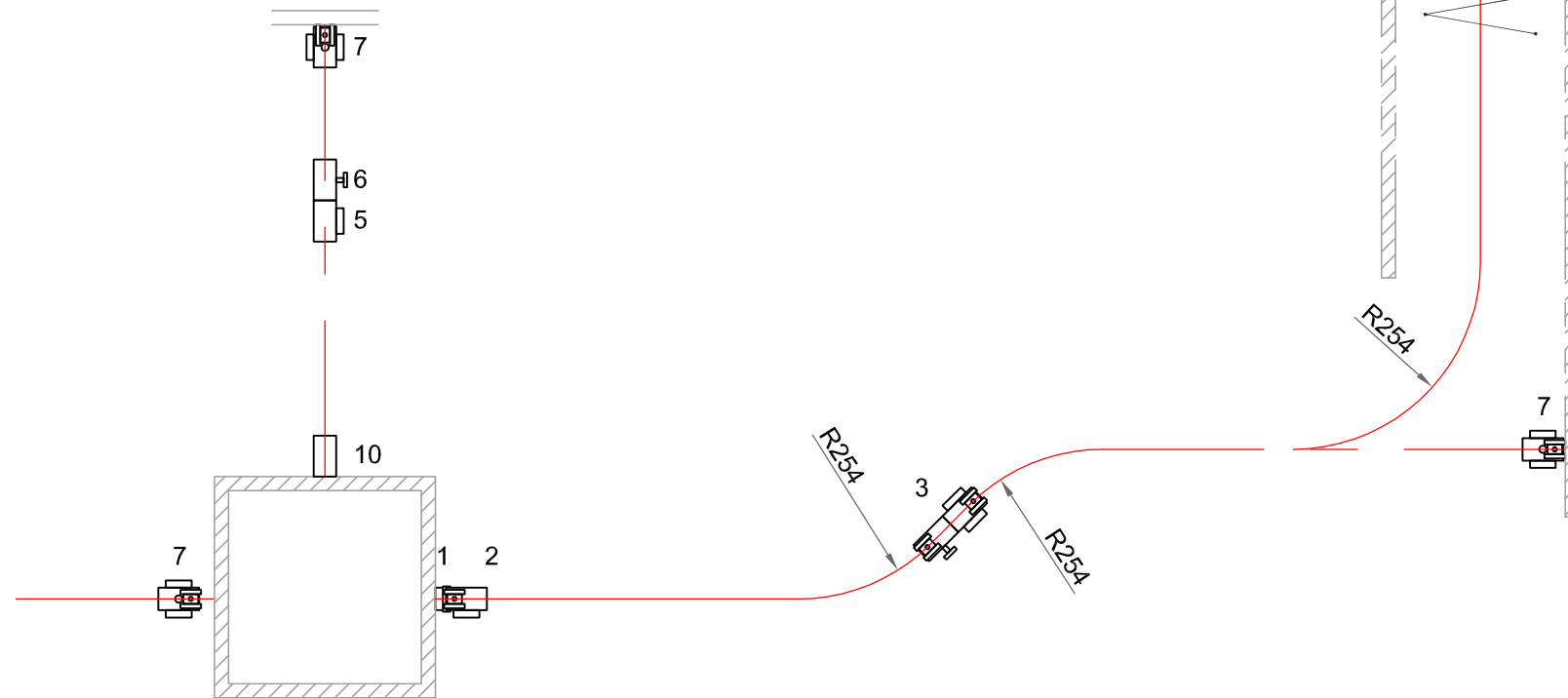
DRAWN	CHK'D	APP'D	DATE	SCALE
CH			21/12 /11	
TITLE Pocket and Sliding Grilles information				

Job No:  
 Guardian maintains a policy of progressive design and we reserve the right to modify specifications without prior notice or alteration to this drawing

ISSUE	DATE	APP'D



'L' Stacks to 51mm for every 301mm length. Stack increases by 190mm for every post



See DWG DD-02 for Post Details



**GUARDIAN**  
SLIDING GRILLES

Tel: +44(0)1702 512424  
Fax: +44(0)1702 260117  
www.slidingfoldinggrilles.co.uk

UNLESS OTHERWISE INDICATED  
ALL DIMENSIONS IN MILLIMETERS

DRAWN	CHK'D	APP'D	DATE	SCALE
-------	-------	-------	------	-------

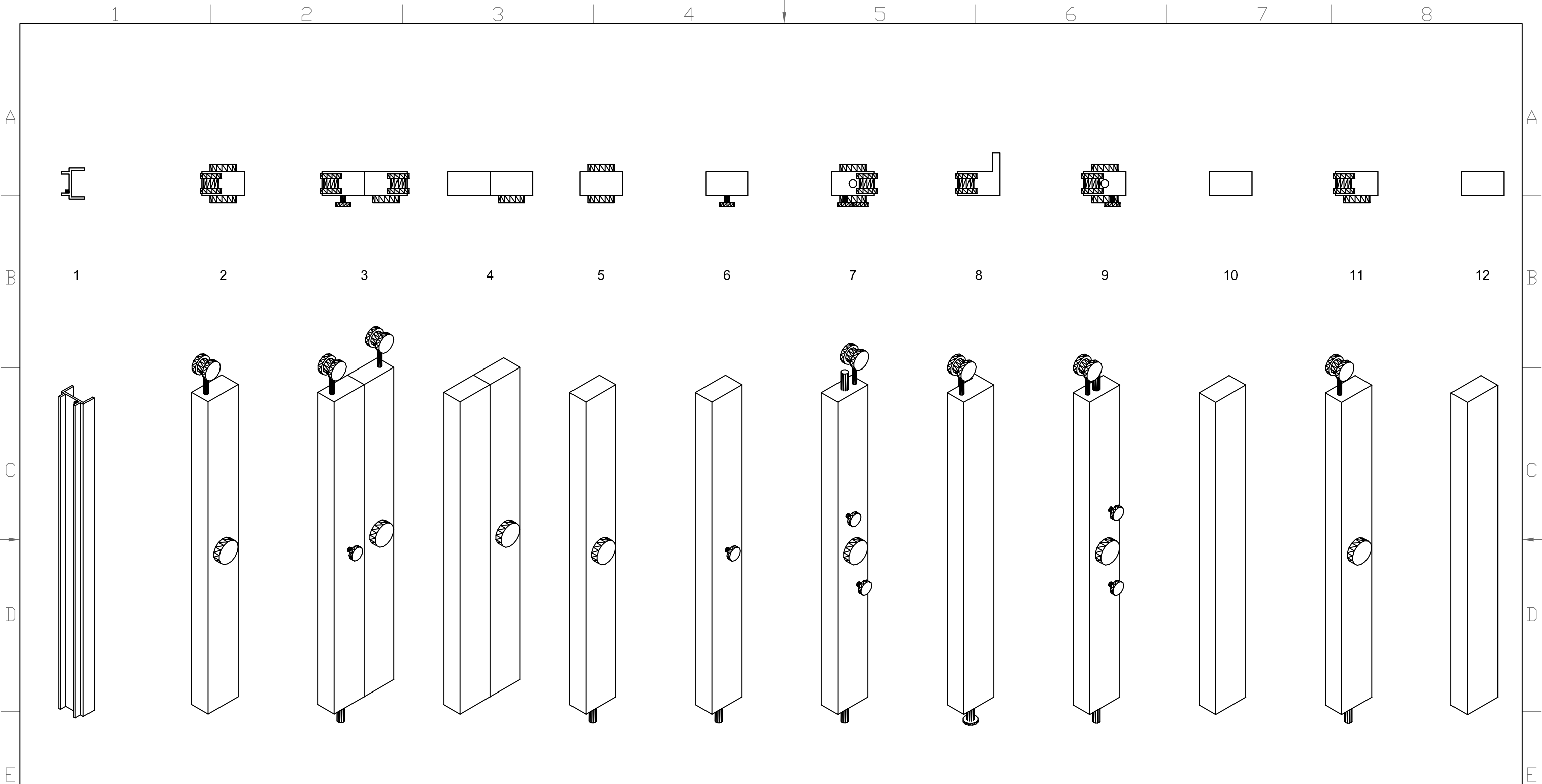
CH				
----	--	--	--	--

TITLE	Samples of Configuration Sliding Grilles
-------	---

Job No:

Guardian maintains a policy of progressive design and we reserve the right to modify specifications without prior notice or alteration to this drawing

ISSUE	DATE	APP'D
-------	------	-------

- 1. Wall Jamb
- 2. Lead Post
- 3. Bi-Part c/w Drop Bolt on one Post
- 4. Egress Door
- 5. Intermediate Post c/w Cylinder & Drop Bolt
- 6. Intermediate Post c/w Knob & Drop Bolt
- 7. Top & Bottom Post c/w Drop Bolts
- 8. Trailing Back Post
- 9. Three Way Locking Post c/w Drop Bolts
- 10. Fixed End Post
- 11. End post c/w Drop Bolt, Track Stop & Back Plate
- 12. Connecting Post



UNLESS OTHERWISE INDICATED  
ALL DIMENSIONS IN MILLIMETERS

DRAWN	CHK'D	APP'D	DATE	SCALE
CH				

TITLE  
**Vertical Posts  
Sliding Grilles**

Job No:  
Guardian maintains a policy of progressive design and we reserve the right to modify specifications without prior notice or alteration to this drawing

ISSUE	DATE	APP'D